

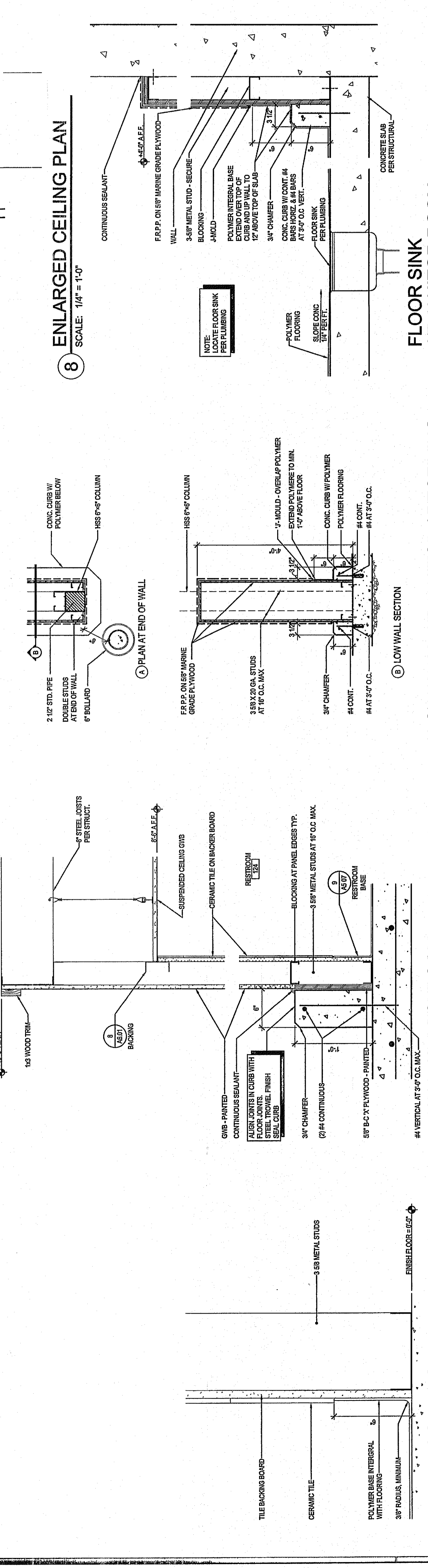
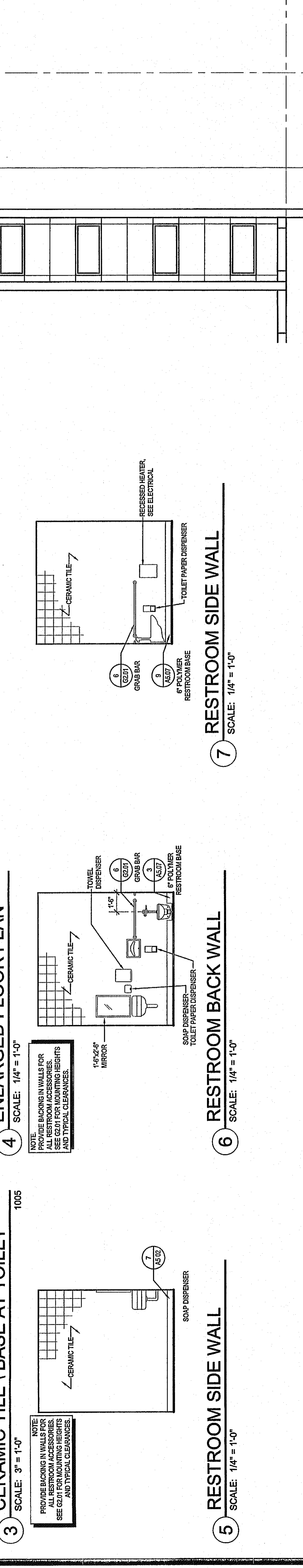
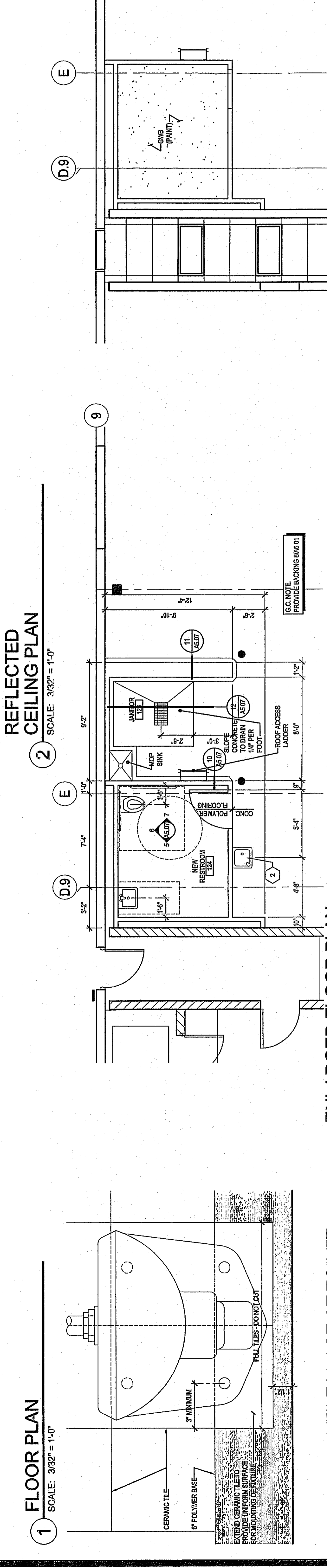
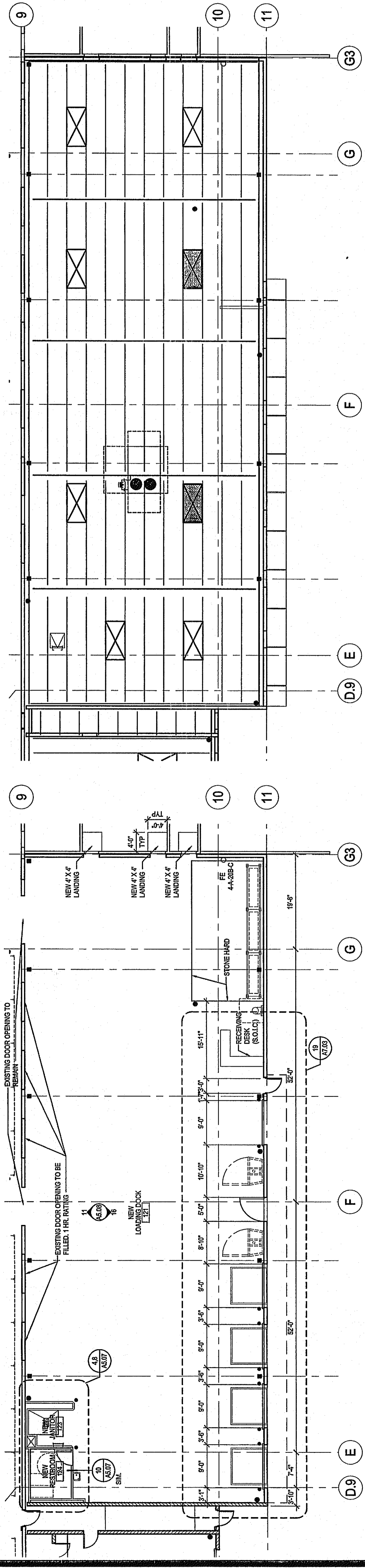
WEISER IRON  
APR 03 2007  
RECEIVED

NO.	DATE	DESCRIPTION
1	09/25/06	START-UP SET
2	11/15/06	PERMIT SET
3	12/22/06	HEALTH DEPT. COMMENTS
4	1/12/07	PLAN CHECK COMMENTS
5	3/22/07	OWNER CHANGES
6	3/27/07	ISSUE FOR CONSTRUCTION

94-06818  
DRAWN: RB  
MARCH 27, 2007

RECEIVING CORE  
PLANS, ELEVATIONS  
AND DETAILS

**A5.07**



**DEMO ROOM EQUIPMENT LIST**

NO.	QTY	DESCRIPTION	MANUFACTURER	MODEL NO.	SUPPLY INSTALL	REMARKS
1	1	2 COMPARTMENT SINK	ANTERO INDUSTRIES	CA-181-18 5 FT	S.O.C.	BRAIN BOARDS BOTH SIDES
2	1	HAND WASH SINK	ANTERO INDUSTRIES	WAUS-112 SPEC	S.O.C.	
3	1	PAPER TOWEL	ANTERO INDUSTRIES	BA2628-11	S.O.C.	
4	1	BLEWING PACKAGE	METRO		S.O.C.	
5	1	WASH CUBS AND FILE CABINET	METRO		S.O.C.	
6	1	SOAP DISPENSER	BARROCK	BA112	S.O.C.	

**RECEIVING EQUIPMENT LIST**

NO.	QTY	DESCRIPTION	MANUFACTURER	MODEL NO.	SUPPLY INSTALL	REMARKS
1	1	EYE WASH	ANTERO INDUSTRIES	EA-112	S.O.C.	OSHA APPROVED MODEL EA-112
2	1	FOUNTAIN	ANTERO INDUSTRIES	FA-112	S.O.C.	