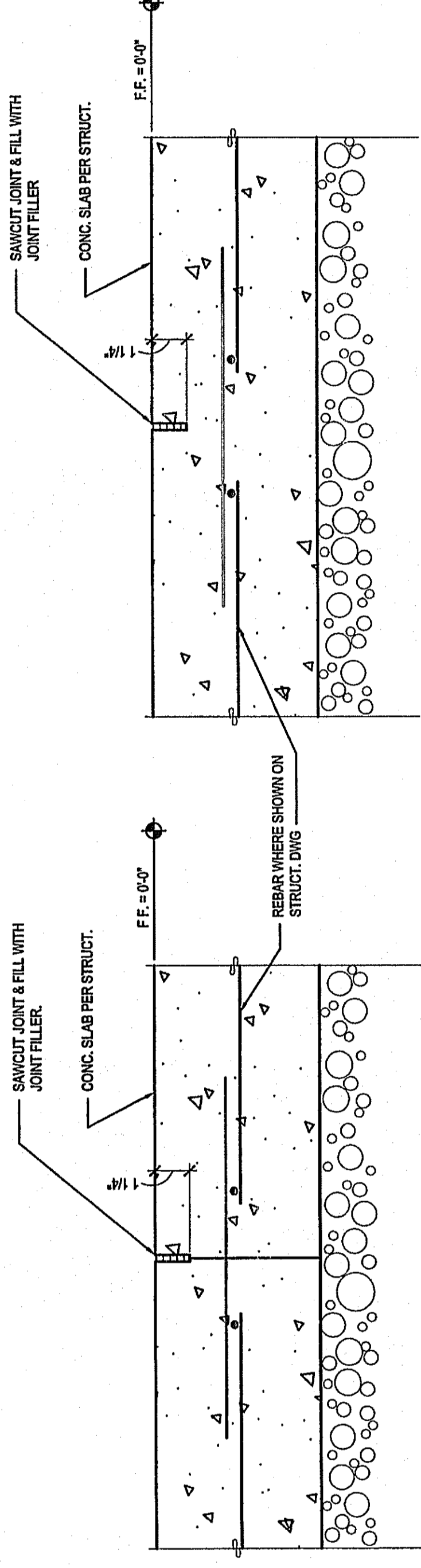


WEISER IRON  
APR 0 9 2007  
RECEIVED

DATE	DESCRIPTION
09-22-05	START-UP SET
11-13-05	PERMIT SET
11-21-05	RD SET
12-22-05	HEALTH DEPT COMMENTS
2-1-07	PLAN CHECK COMMENTS
3-22-07	OWNER CHANGES
3-27-07	ISSUE FOR CONSTRUCTION

SA-060-18  
PW: DAVE PRELIETT  
DRAWN: RB  
MARCH 27, 2007

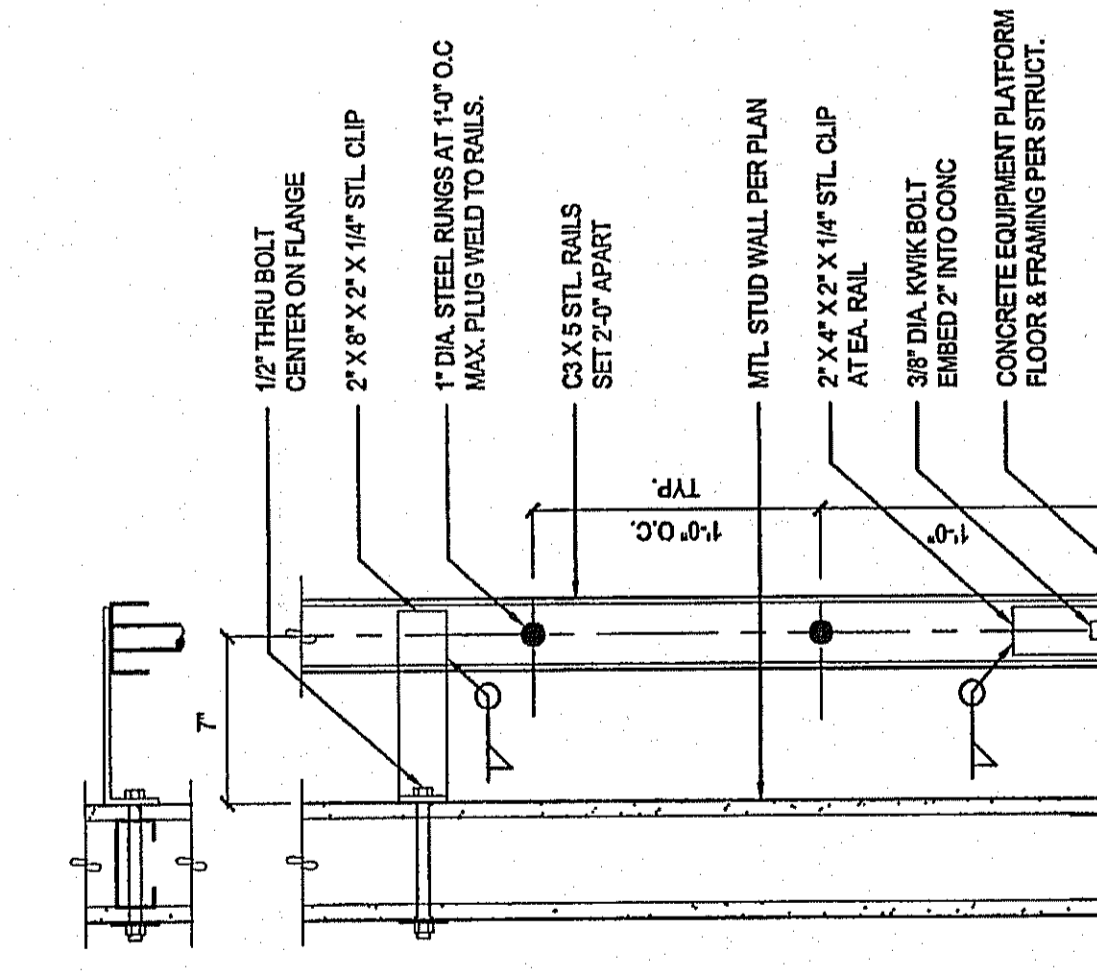


NOTE:  
SEE STRUCT FOR JOINT  
LOCATION & REINFORCING

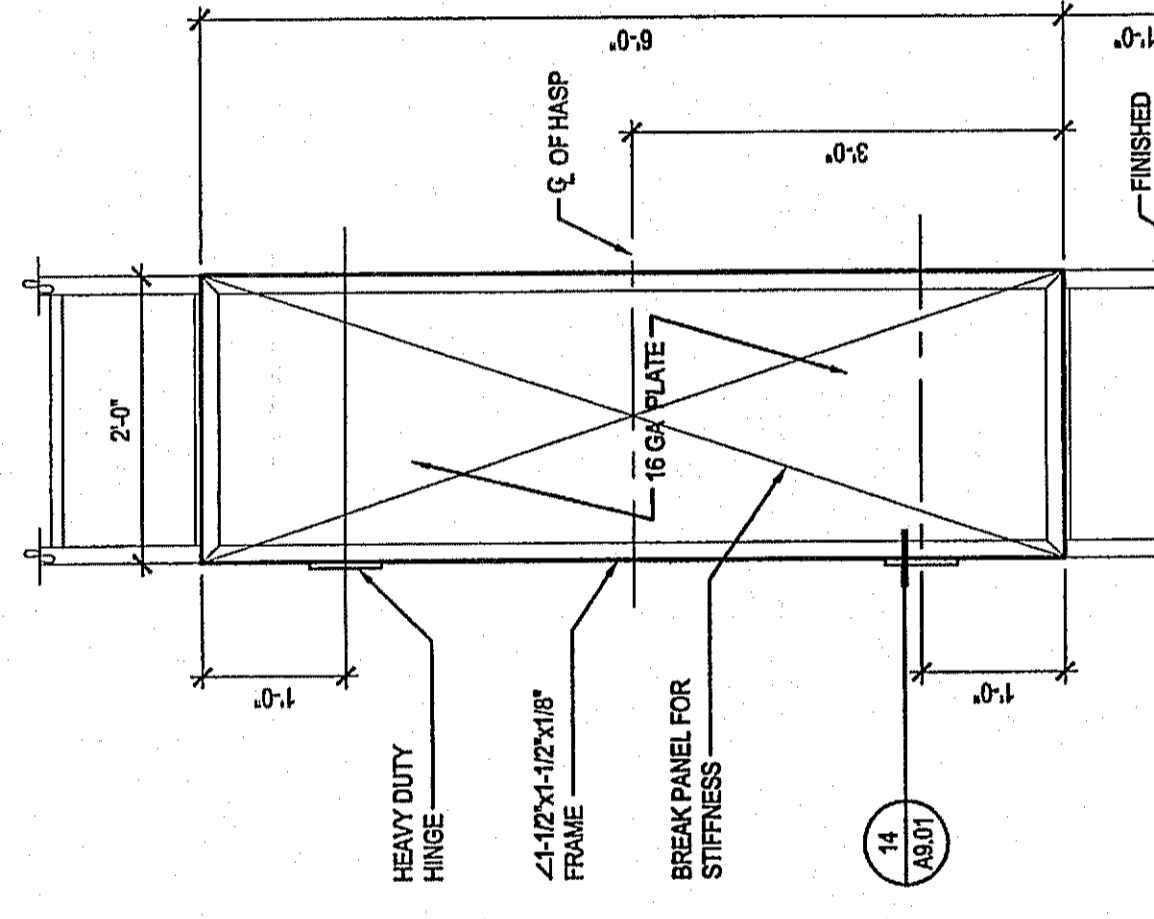
3 CONSTRUCTION JOINT (C.J.)  
SCALE: 3" = 1'-0"  
0365006-0906

NOTE:  
SEE STRUCT FOR JOINT  
LOCATION & REINFORCING

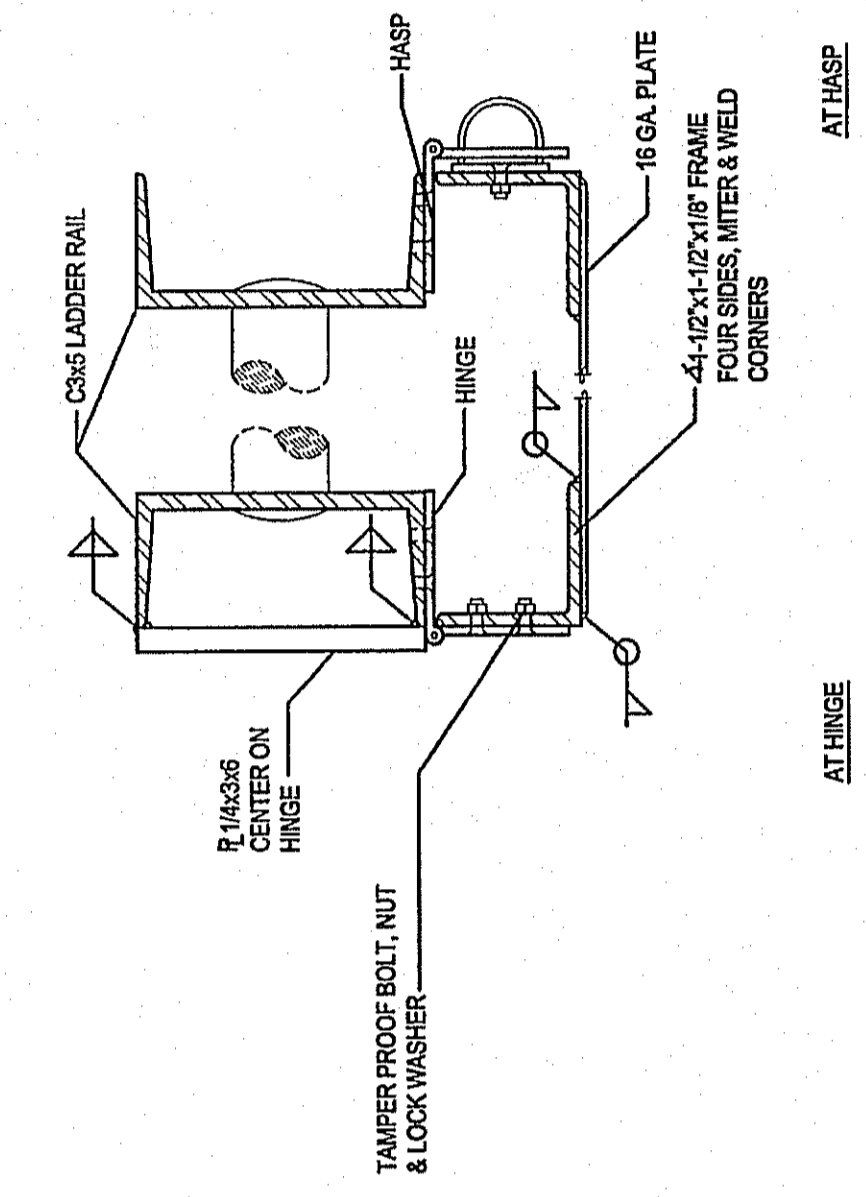
4 SHRINKAGE JOINT (S.J.)  
SCALE: 3" = 1'-0"  
0806



12 LADDER TYPICAL  
SCALE: 1-1/2" = 1'-0"  
05510025-1105



13 LADDER SECURITY DOOR  
SCALE: 3/4" = 1'-0"  
05510018-0902



14 LADDER SECURITY DOOR JAMB  
SCALE: 6" = 1'-0"  
05510014-0903