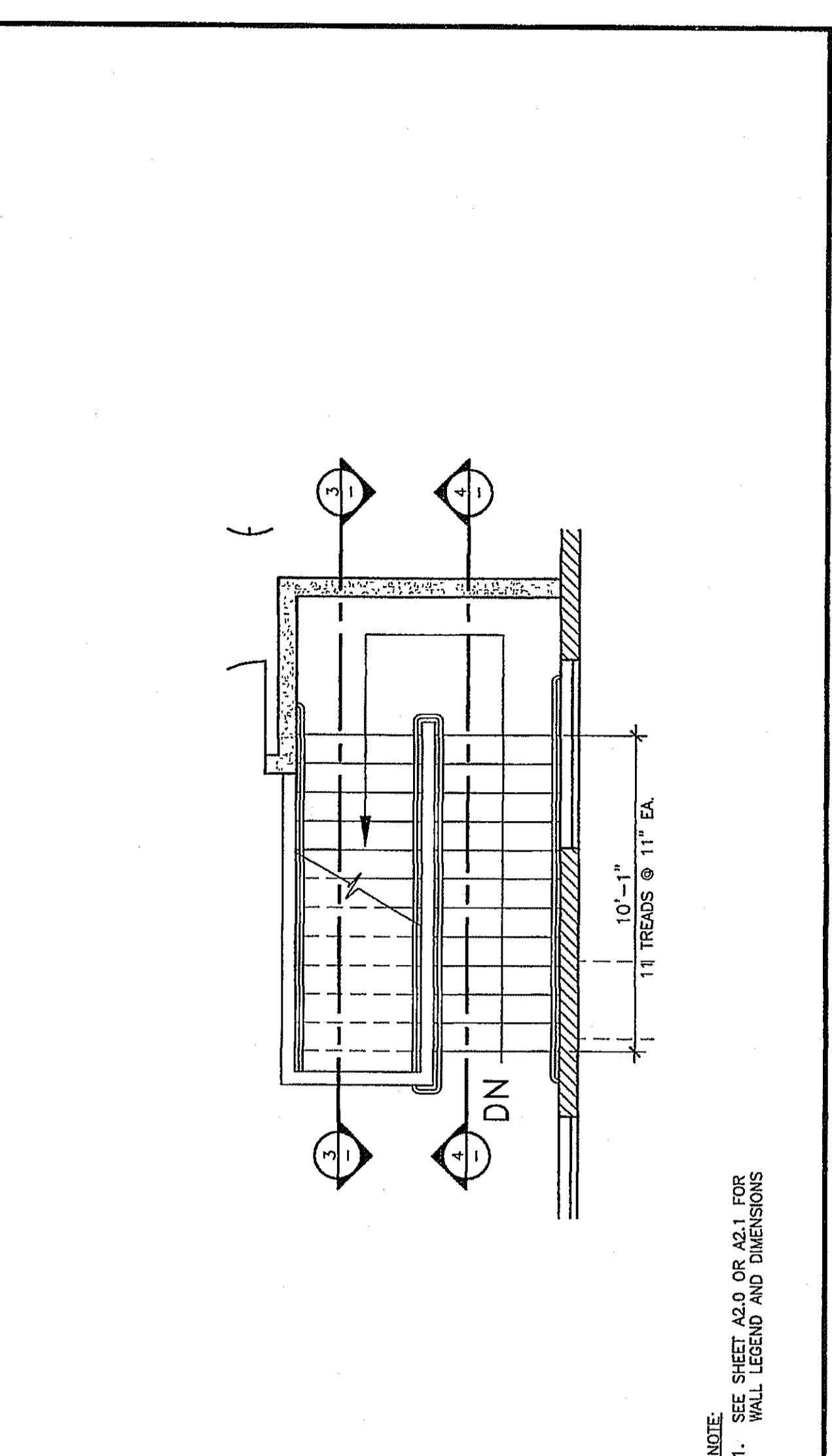
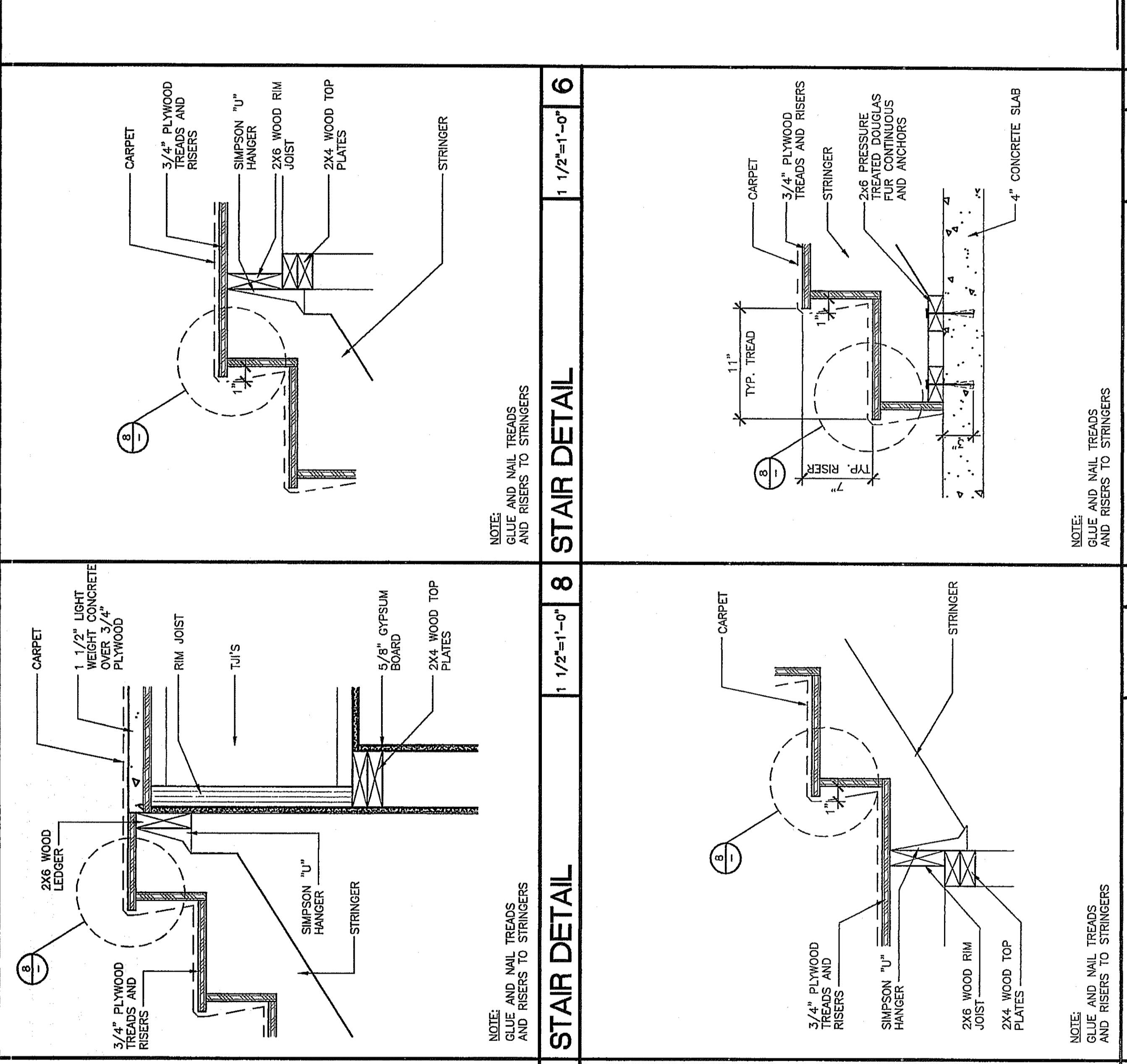


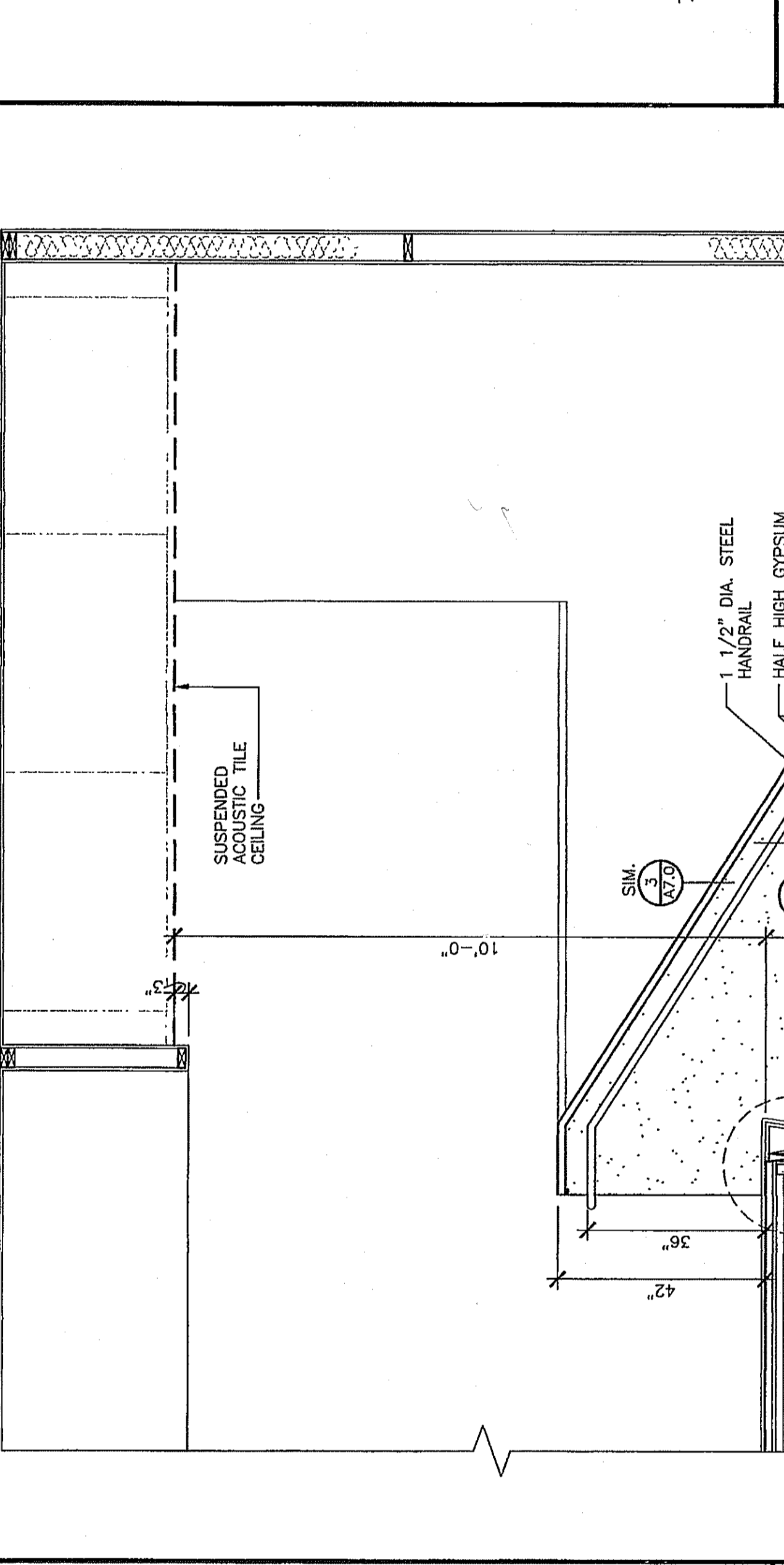
3 TYP. STAIR SECTION 1/2"=1'-0"



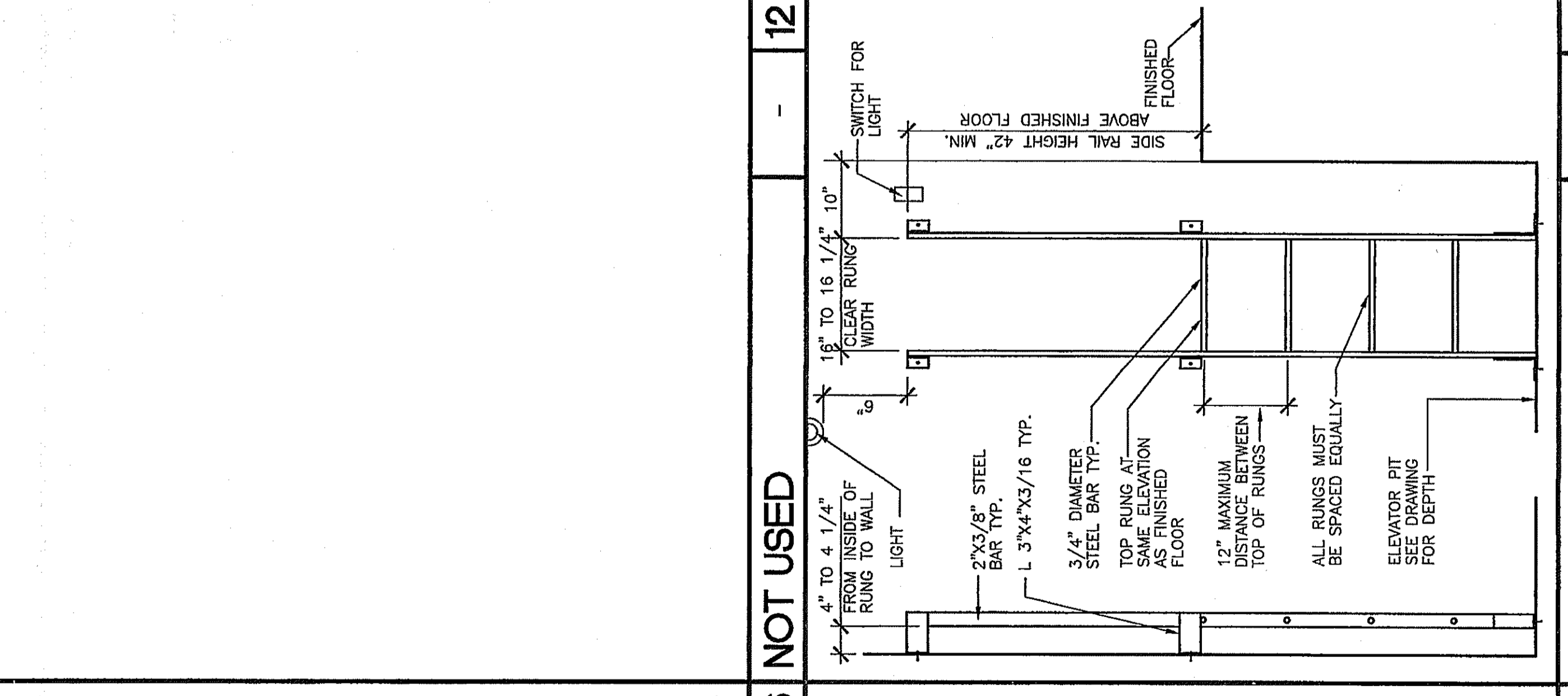
2 SECOND FLOOR ENLARGED STAIR PLAN (EAST SIDE) 1/4"=1'-0"



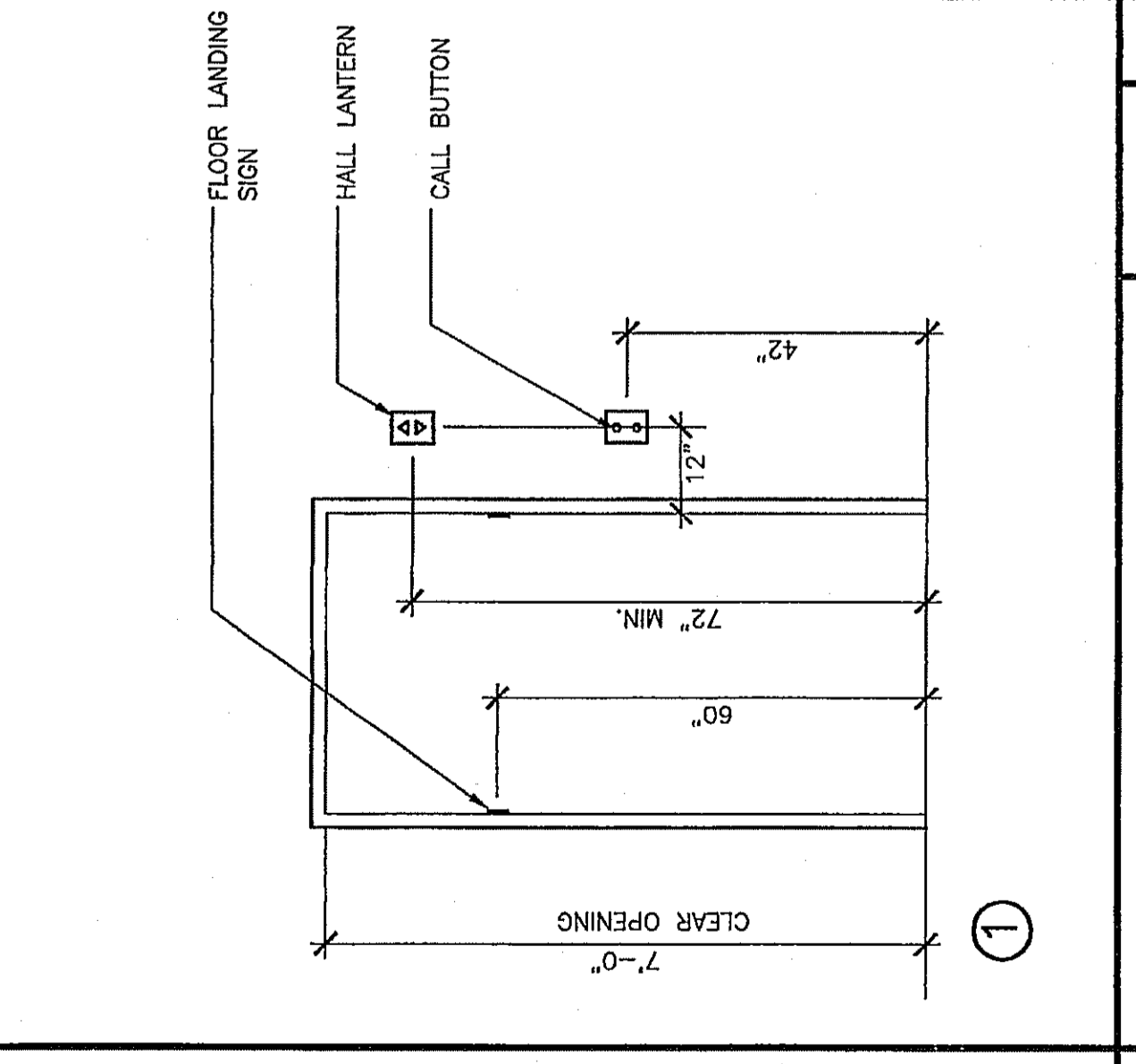
6 STAIR DETAIL 1 1/2"=1'-0"



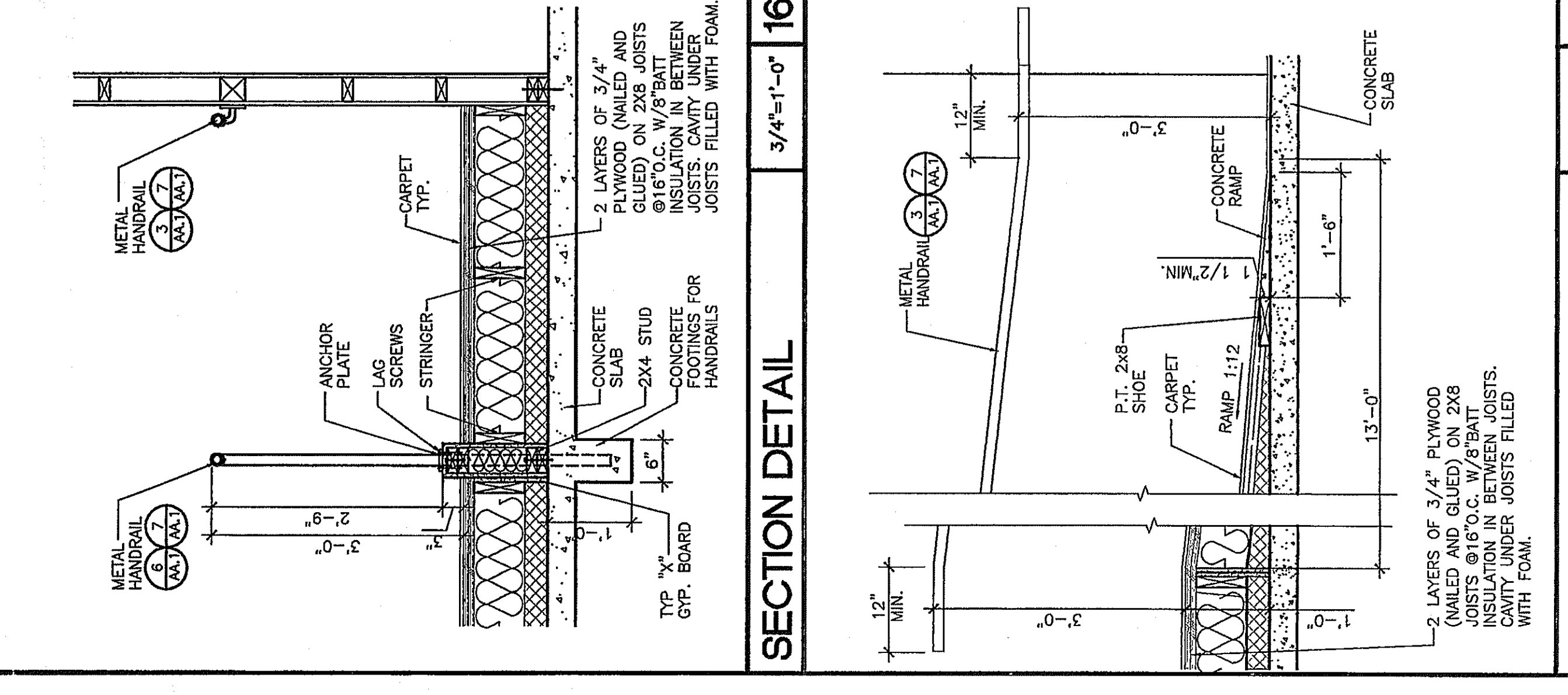
5 STAIR DETAIL 1 1/2"=1'-0"



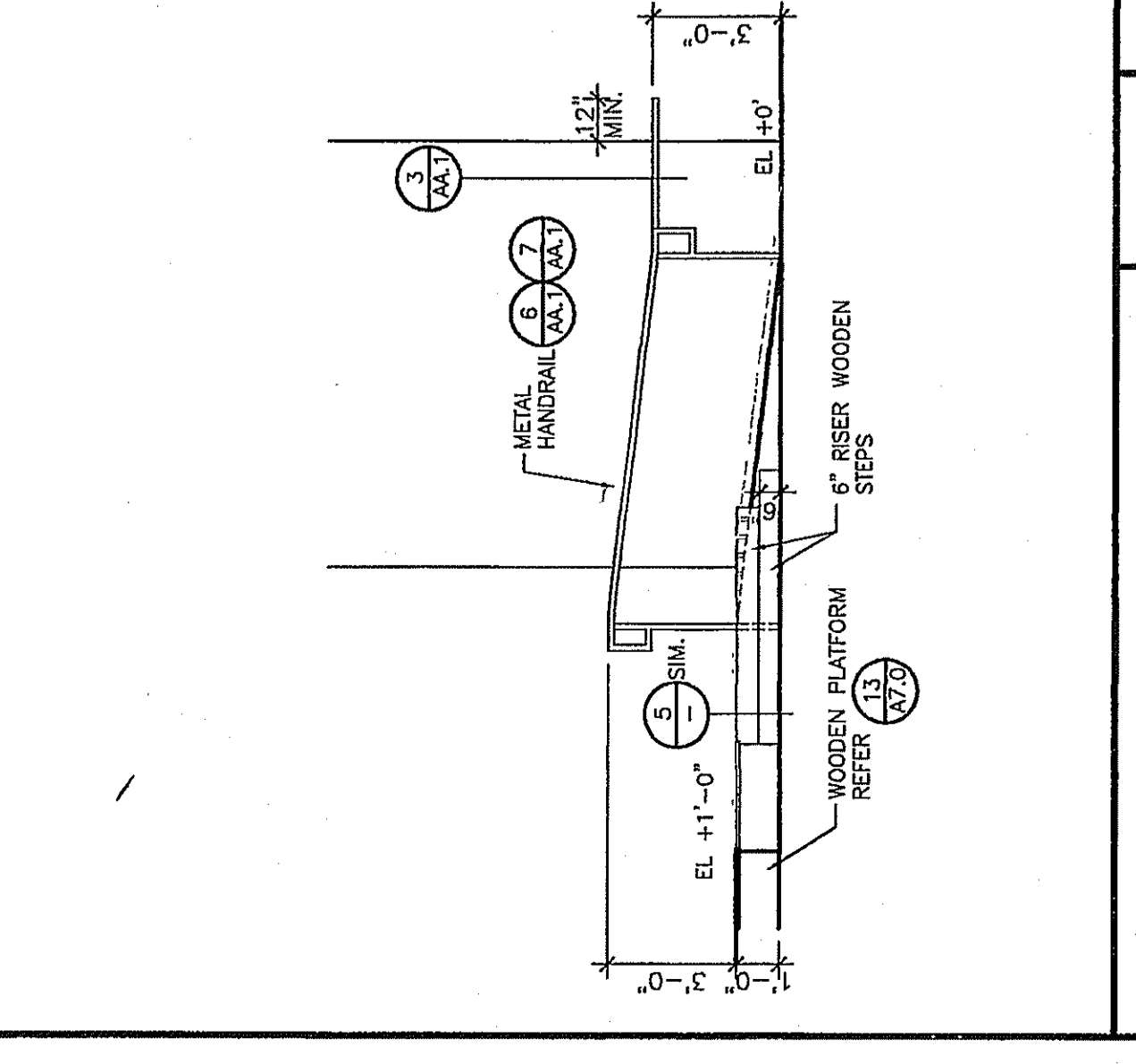
8 STAIR DETAIL 1 1/2"=1'-0"



7 STAIR DETAIL 1 1/2"=1'-0"



16 SECTION THRU RAMP 3/4"=1'-0"



15 PIT LADDER DETAIL N.T.S.



12 NOT USED



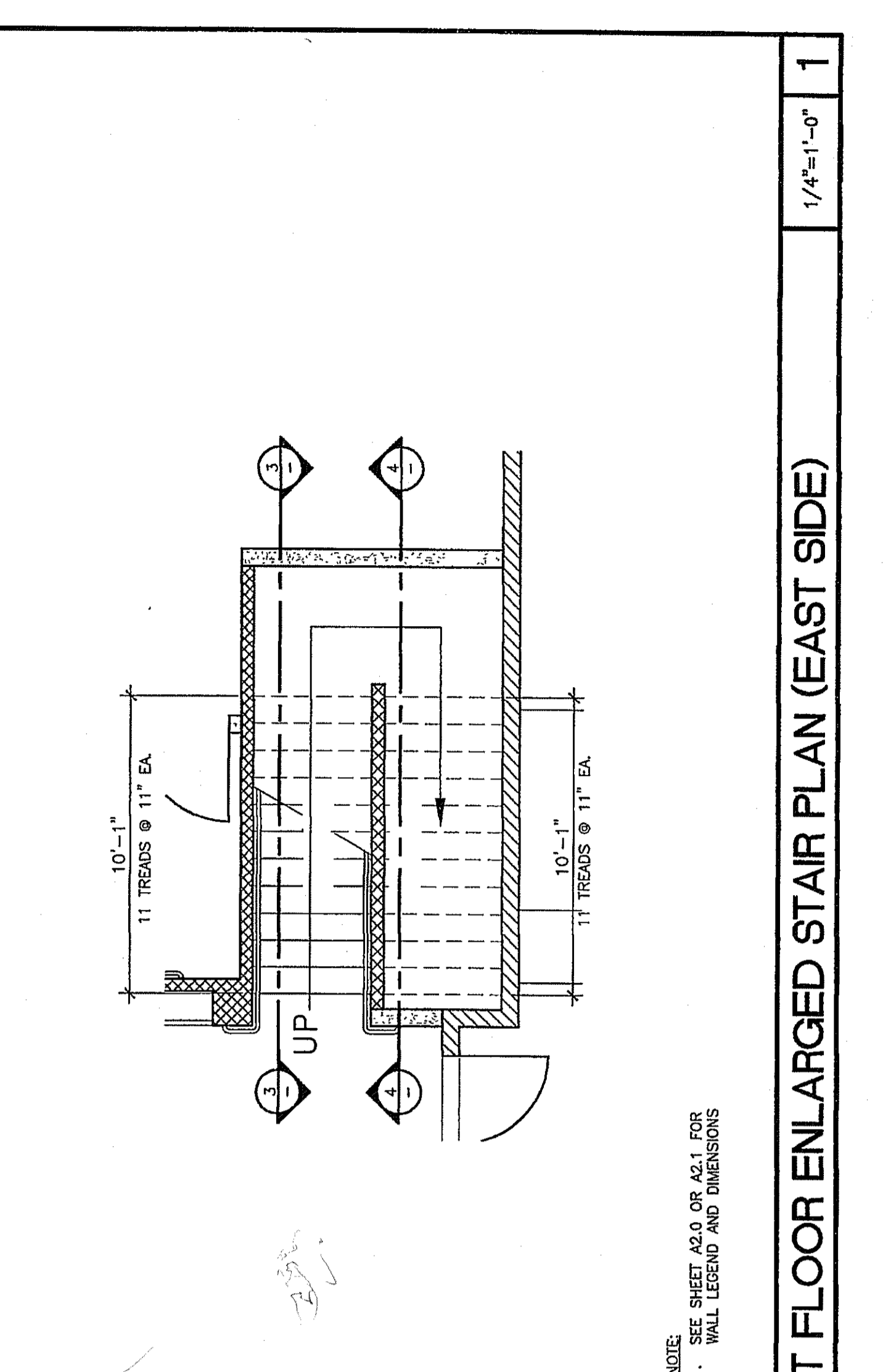
11 ENLARGED ELEV. PLAN 1/4"=1'-0"



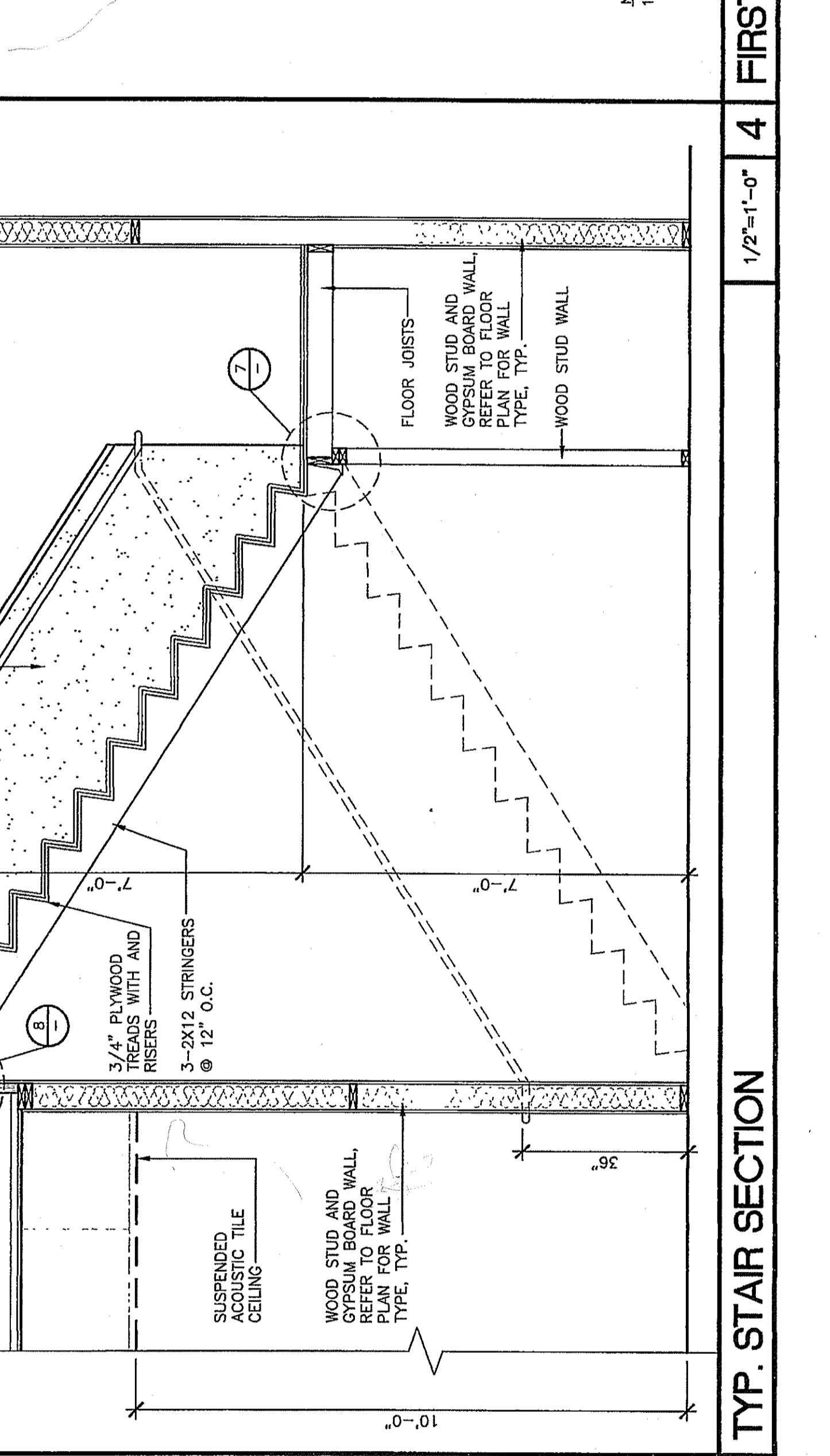
14 RAMP NEAR PLATFORM 1/4"=1'-0"



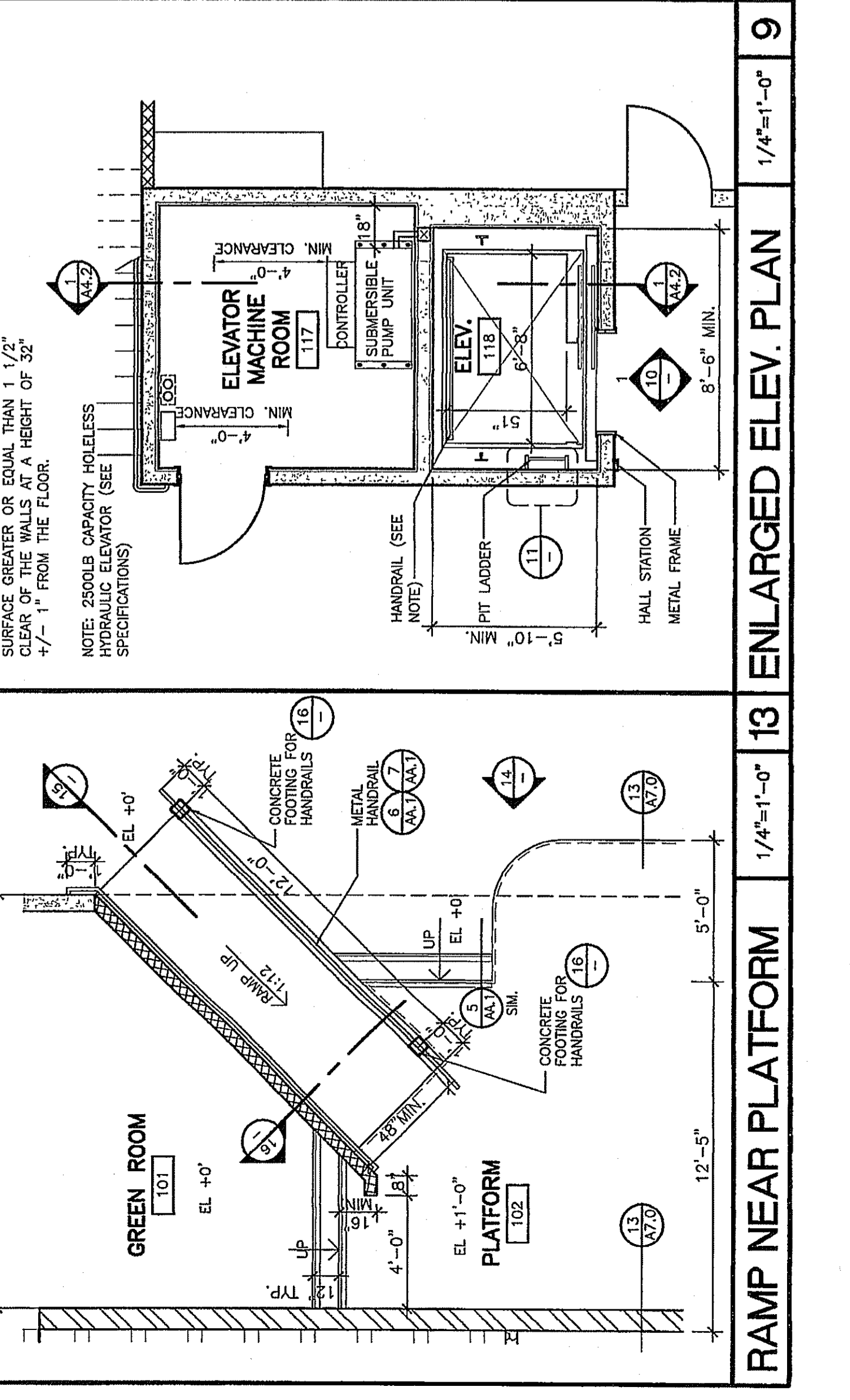
13 RAMP NEAR PLATFORM 1/4"=1'-0"



4 FIRST FLOOR ENLARGED STAIR PLAN (EAST SIDE) 1/2"=1'-0"



9 TYP. STAIR SECTION 1/4"=1'-0"



10 HALL STATION 1/2"=1'-0"