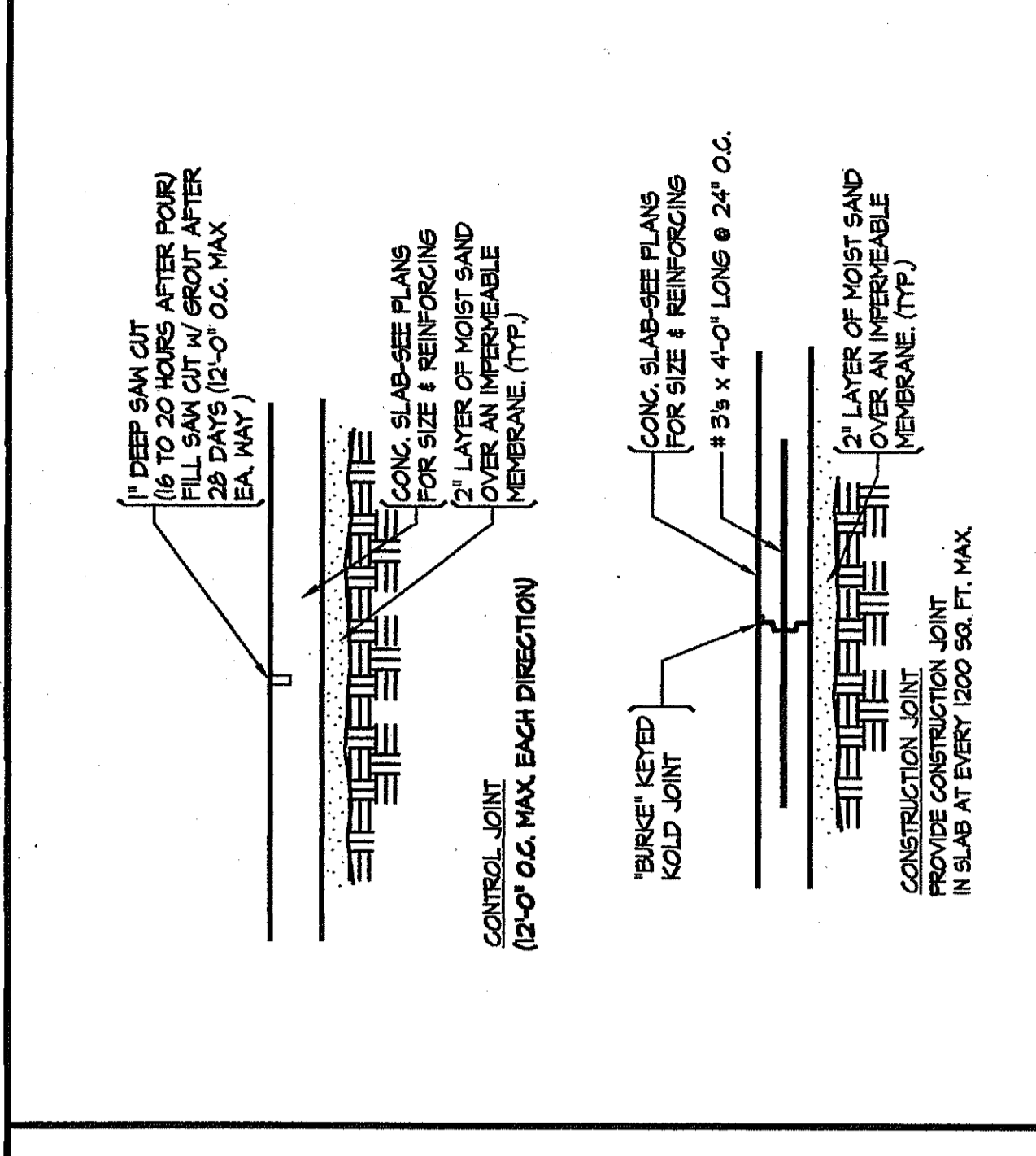
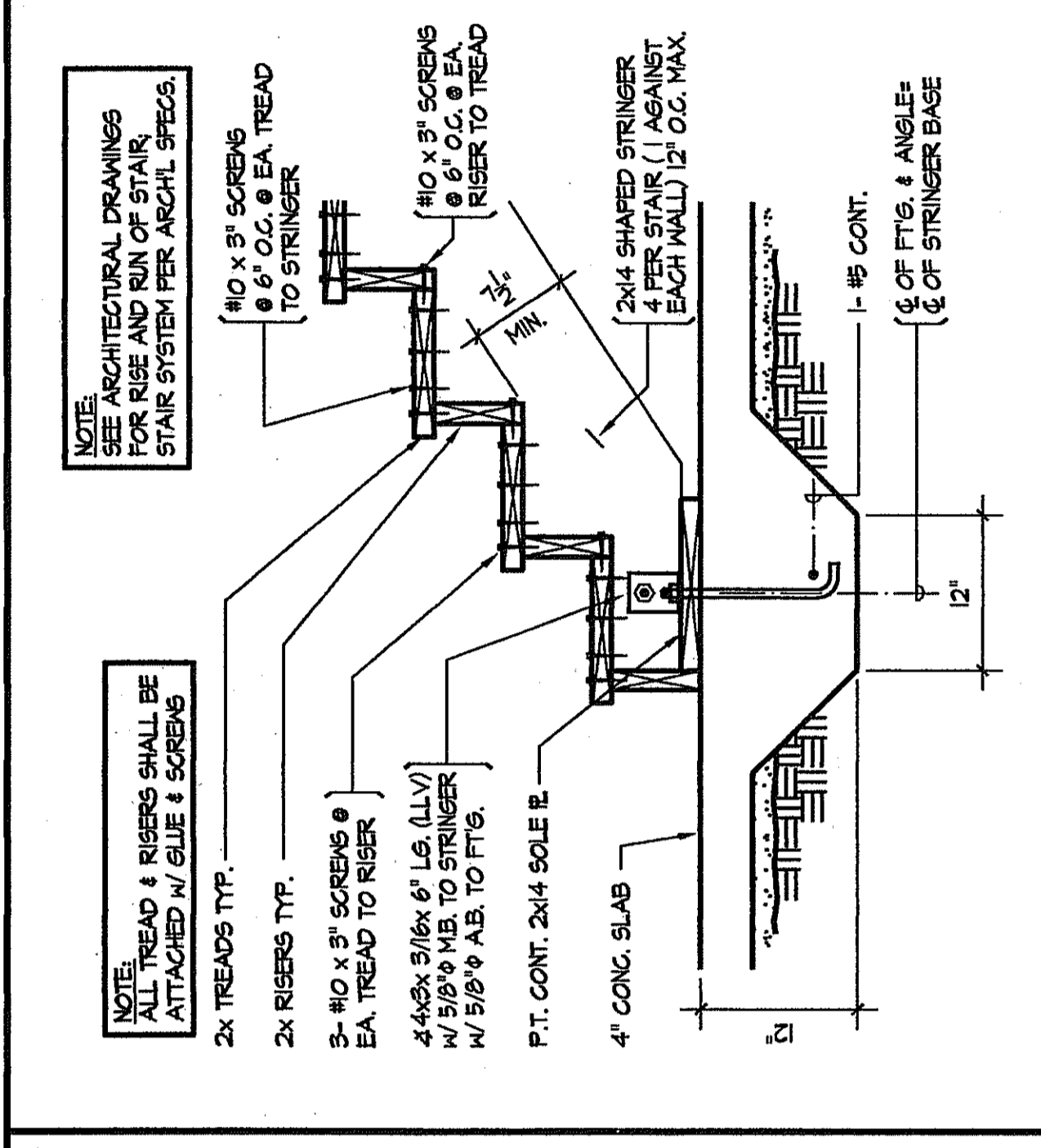
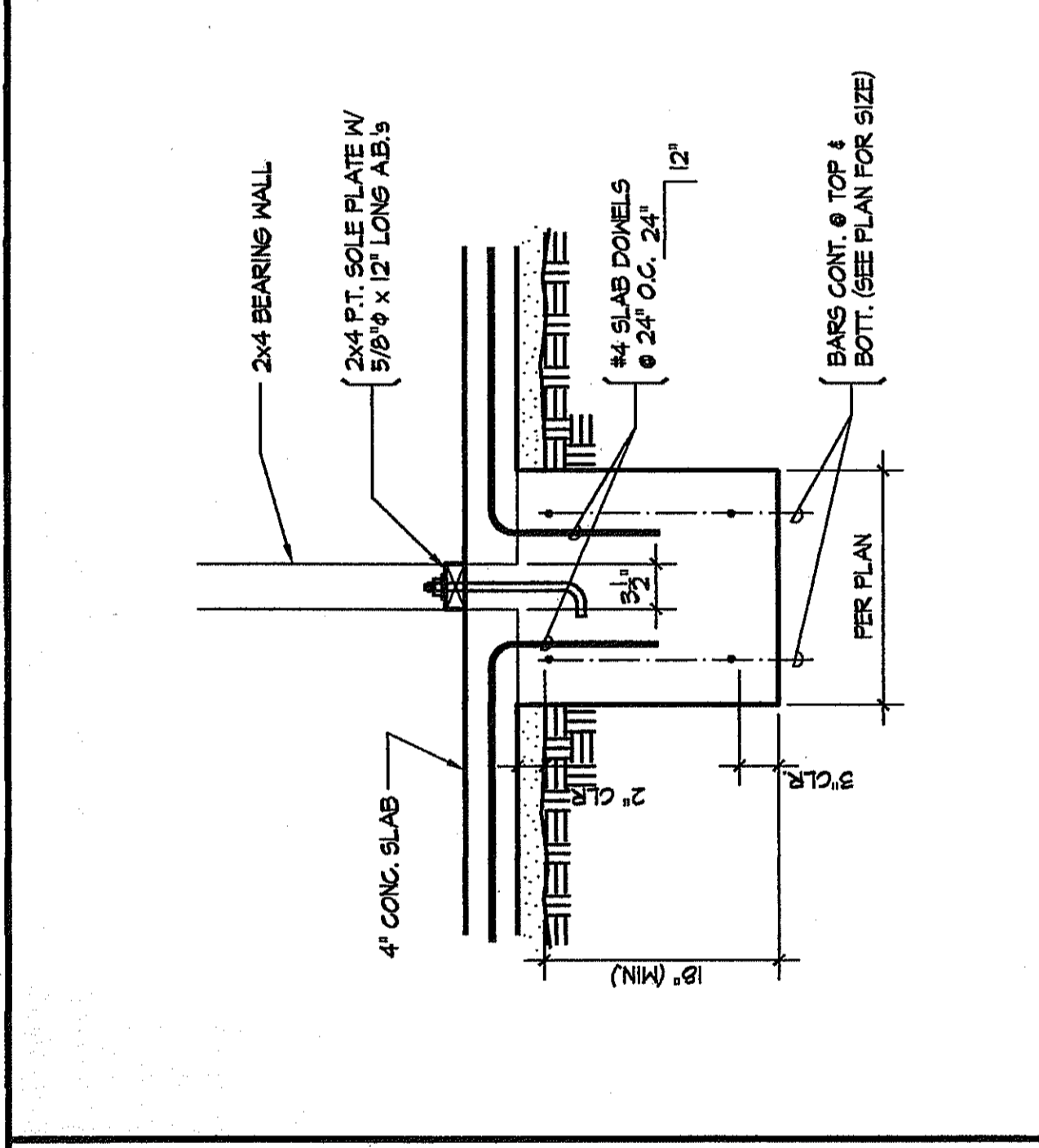
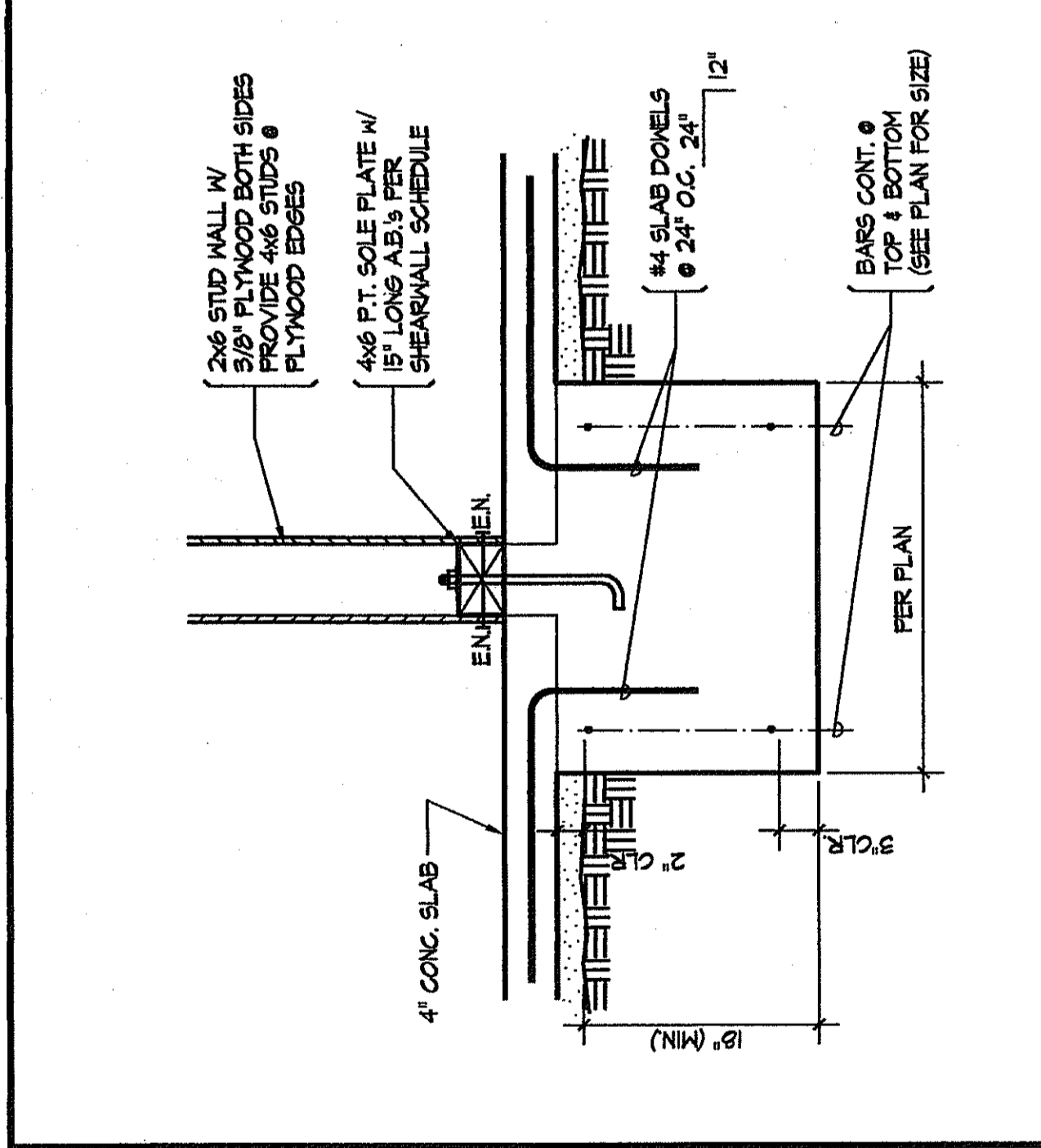
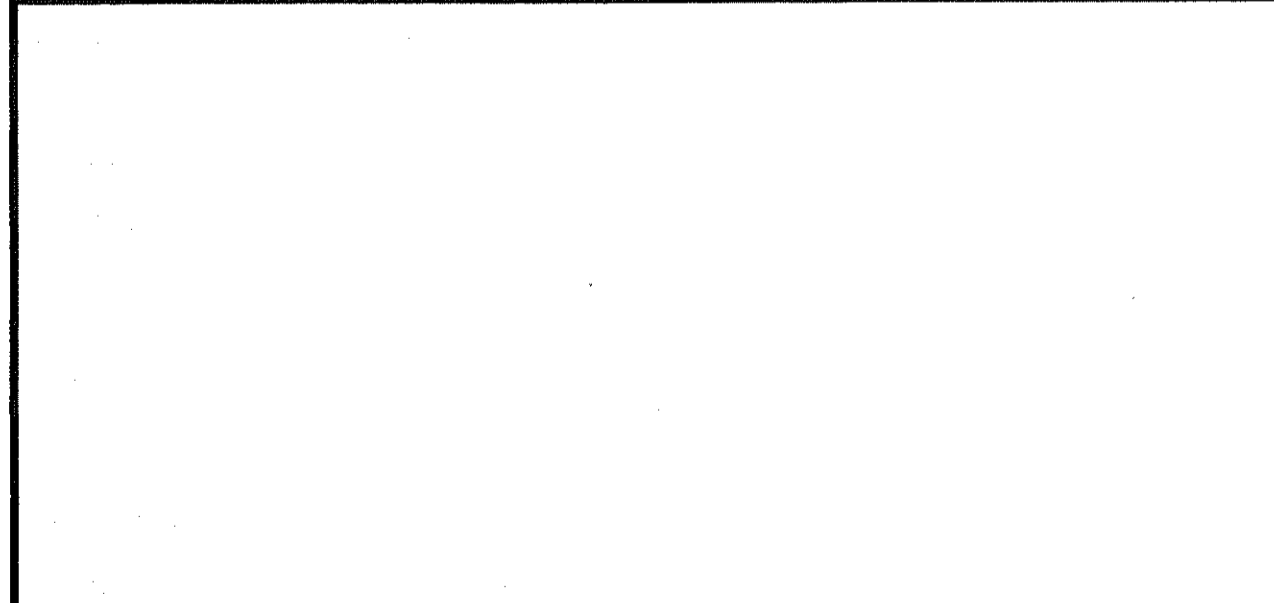


NOT USED



FOUNDATION DETAIL 17

FOUNDATION DETAIL 18

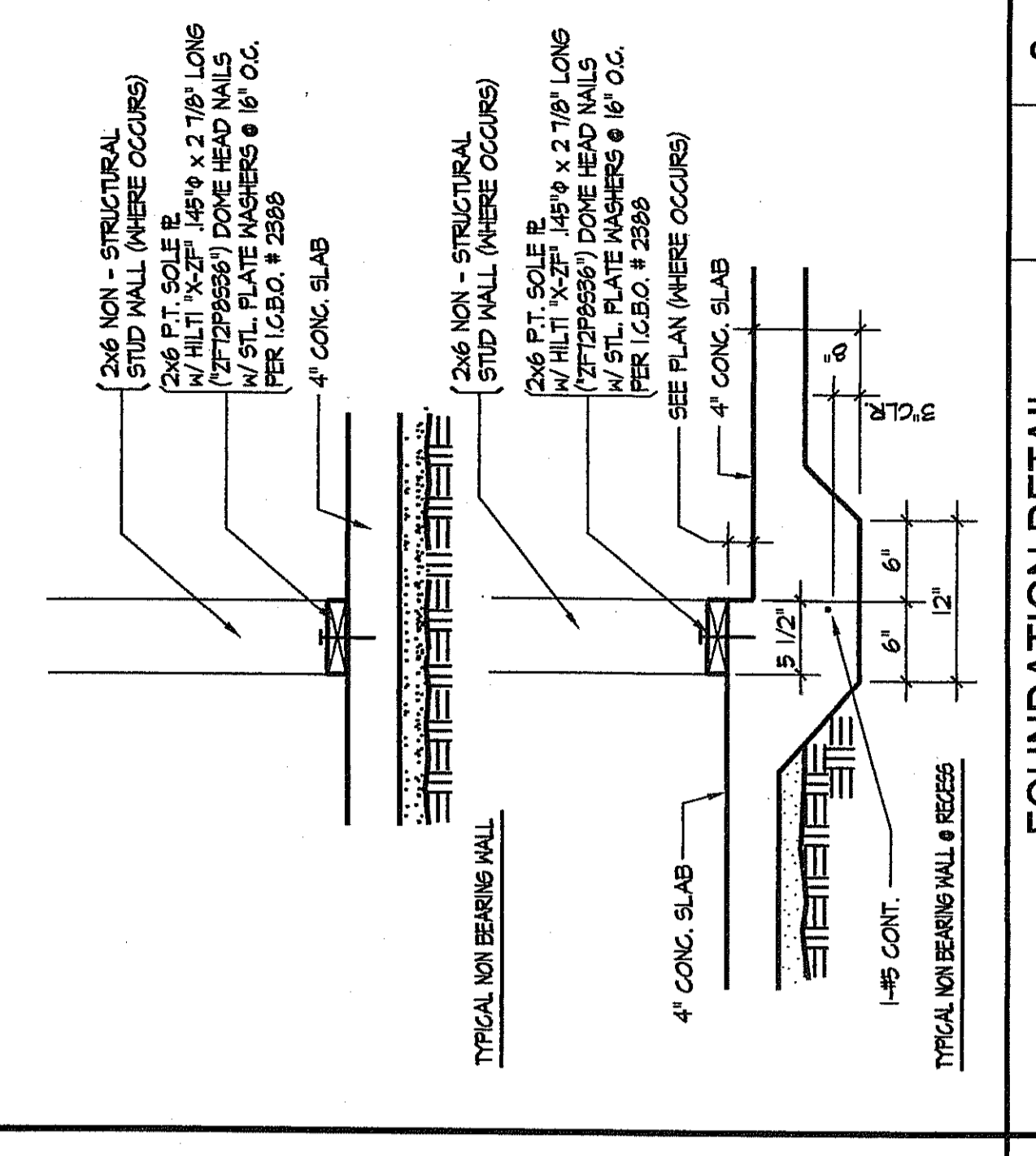
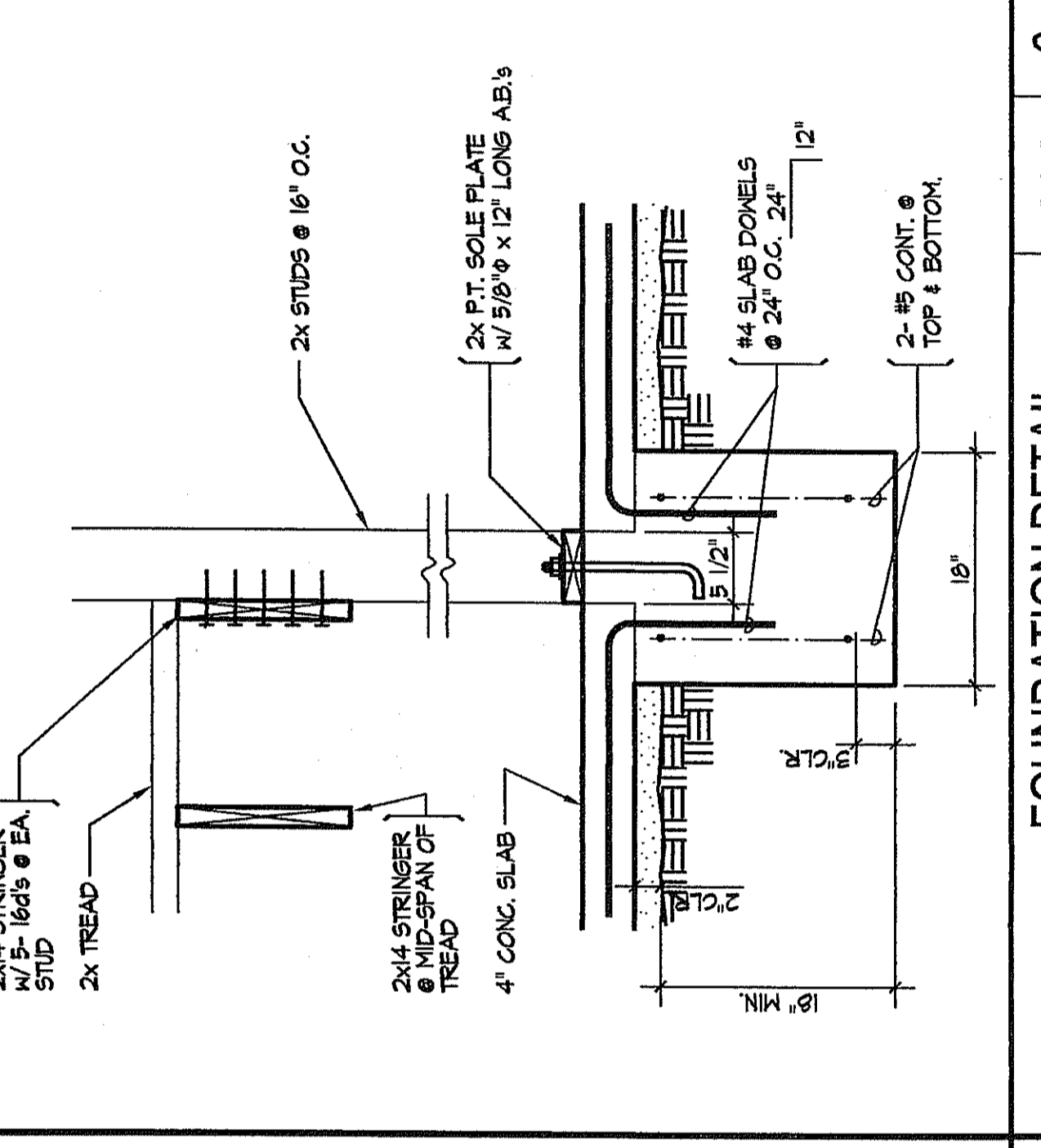
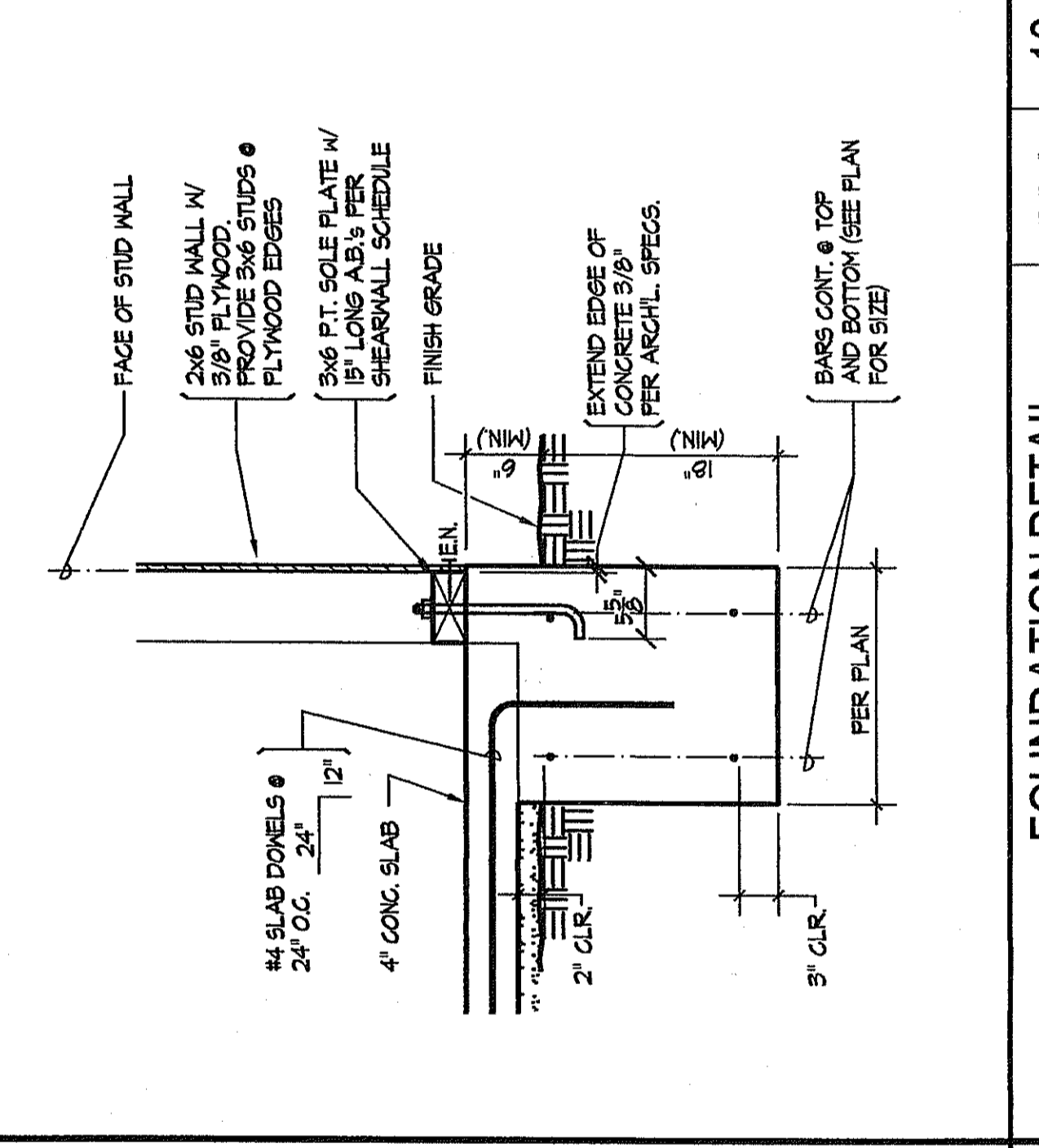
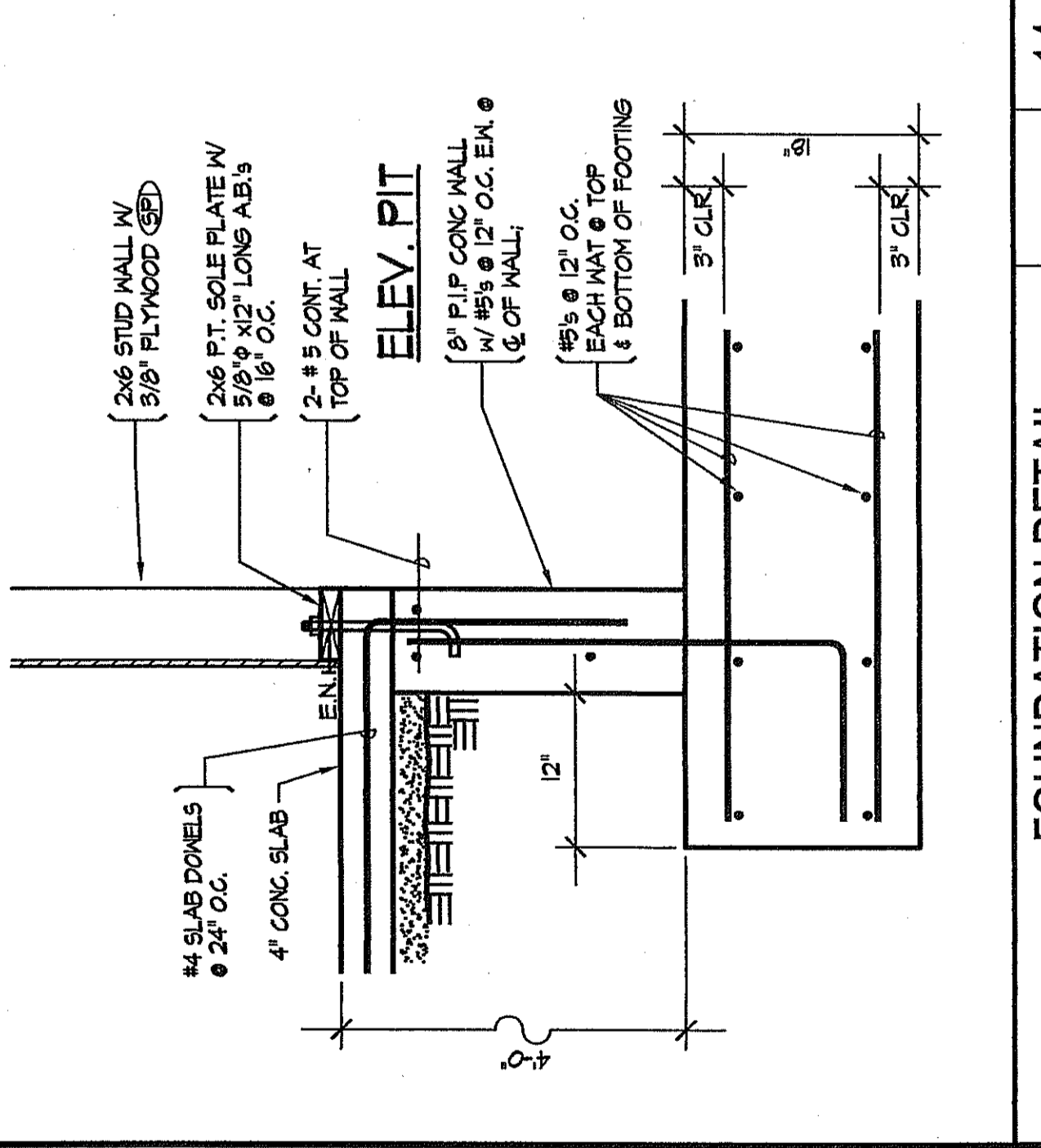
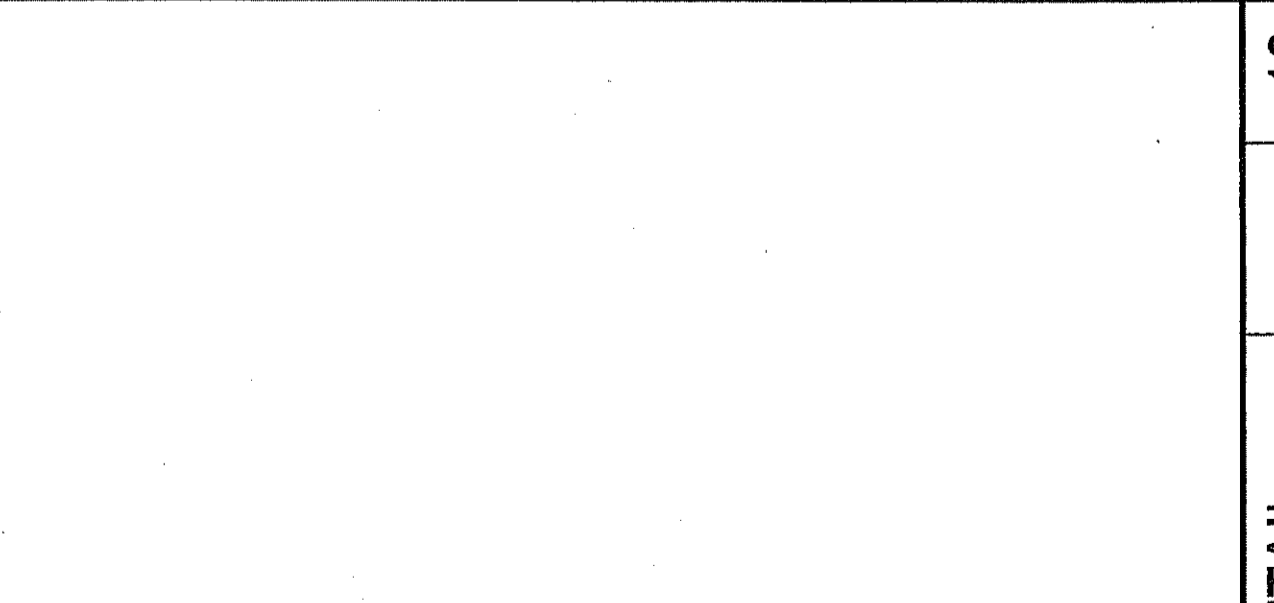
FOUNDATION DETAIL 19

FOUNDATION DETAIL 20

FOUNDATION DETAIL 21

FOUNDATION DETAIL 1

NOT USED



FOUNDATION DETAIL 18

FOUNDATION DETAIL 19

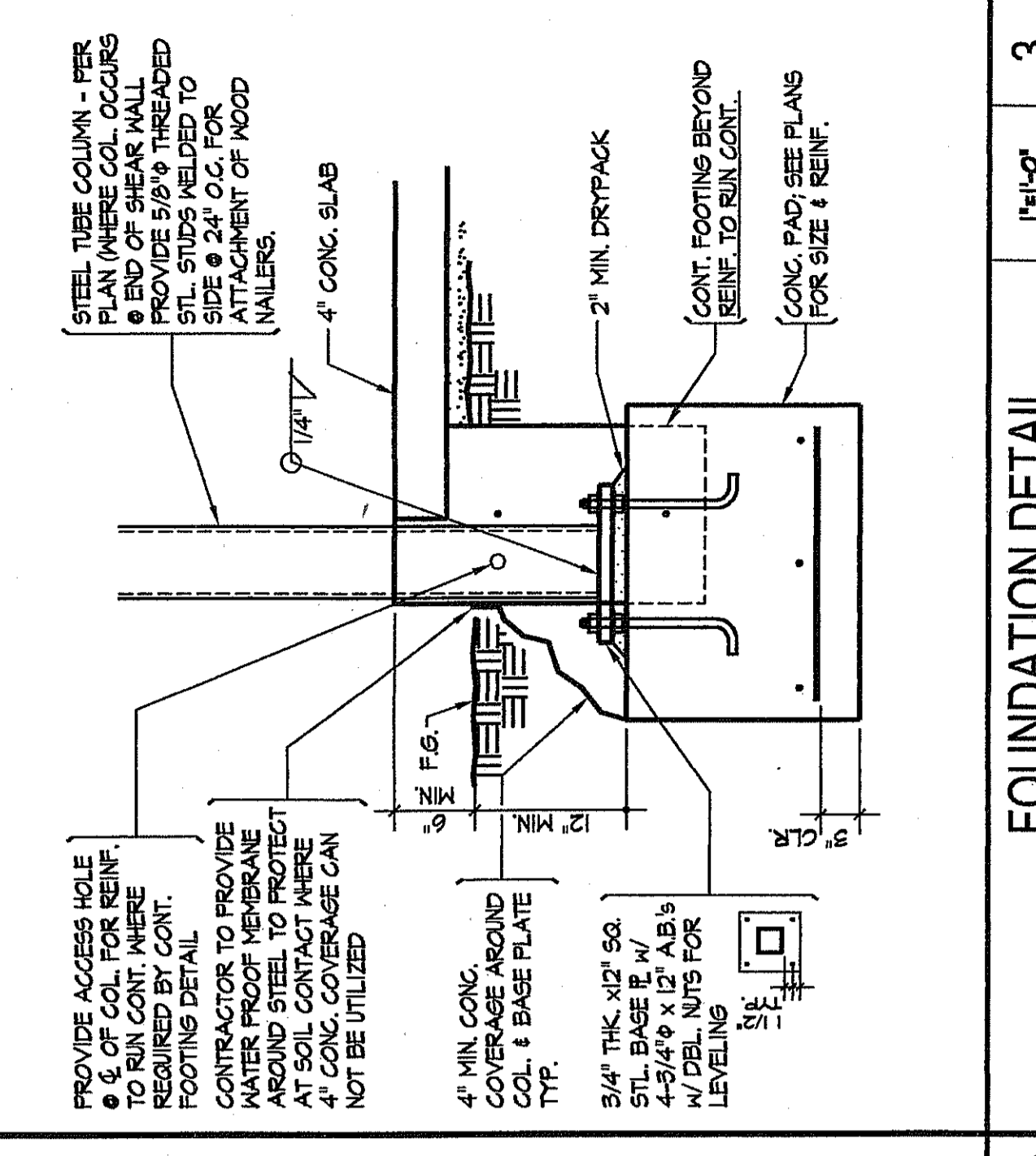
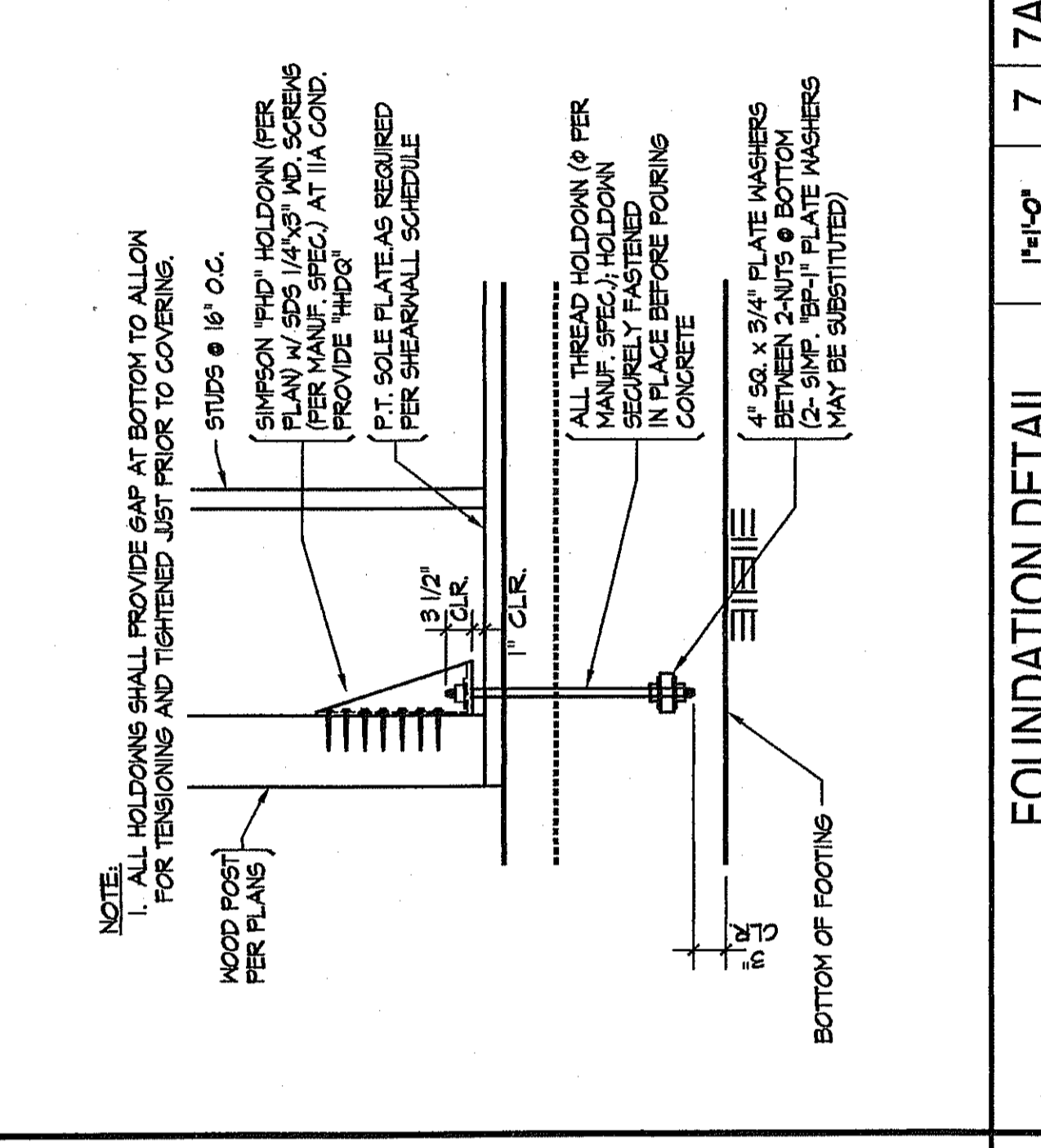
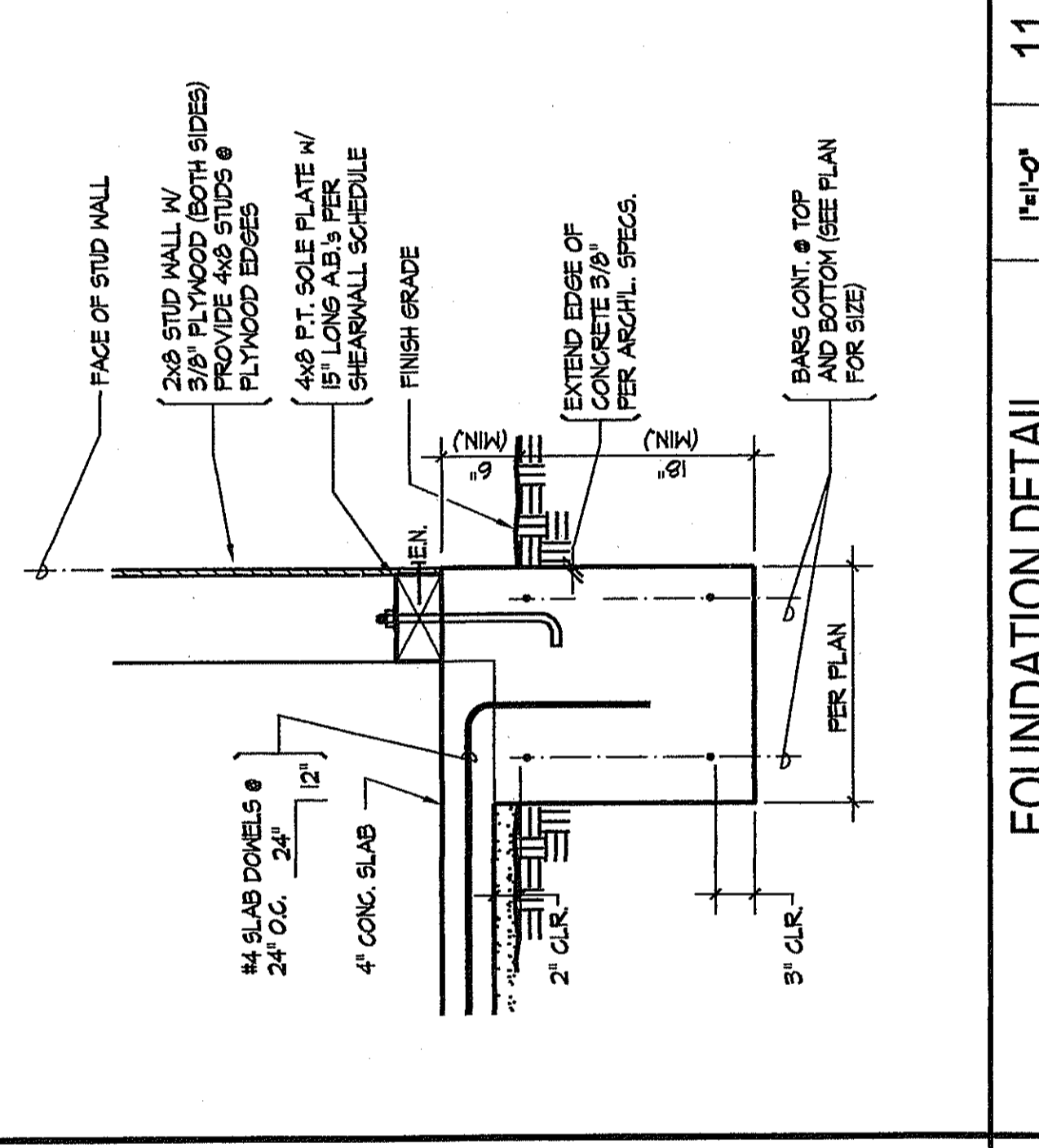
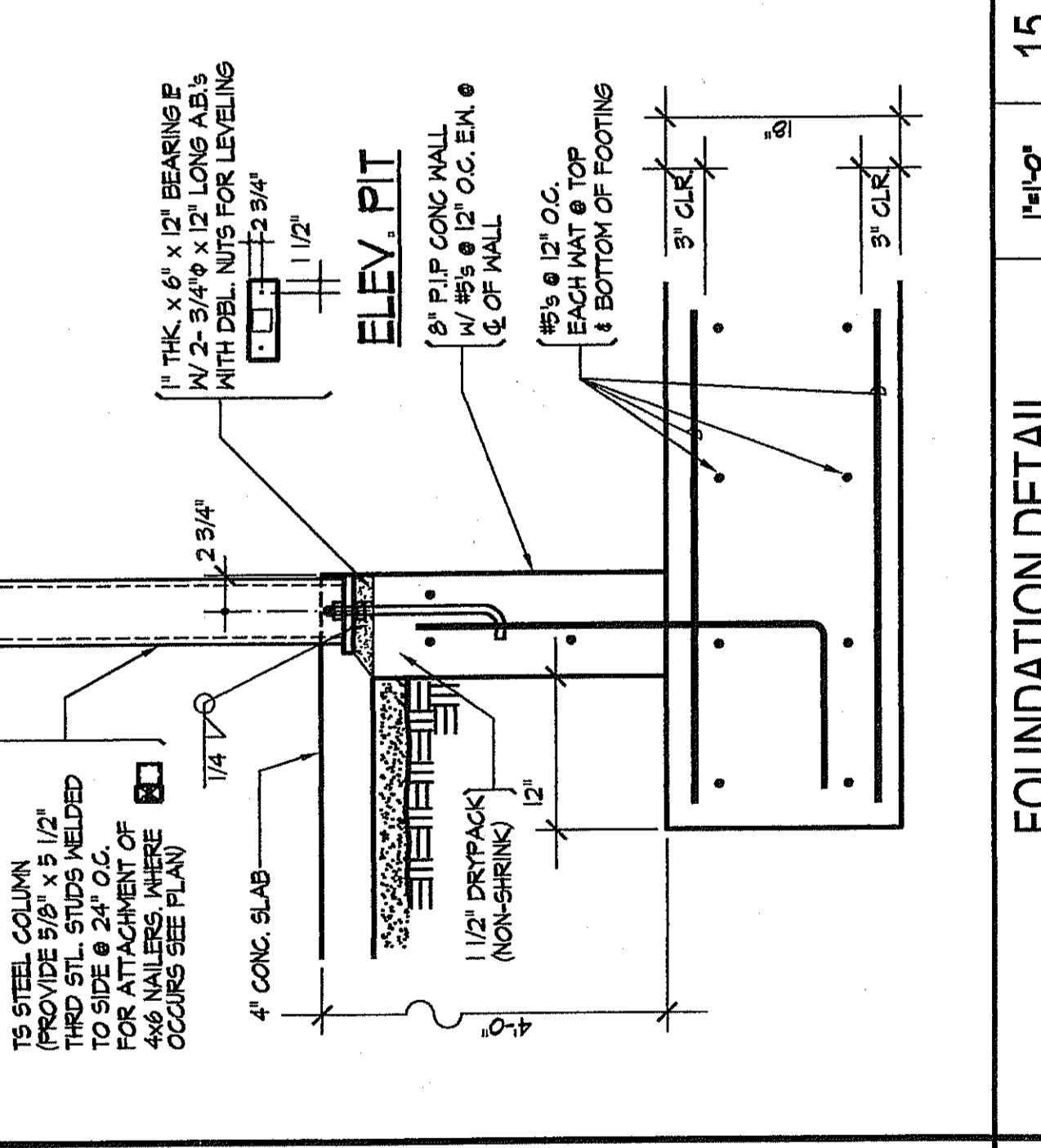
FOUNDATION DETAIL 20

FOUNDATION DETAIL 21

FOUNDATION DETAIL 22

FOUNDATION DETAIL 2

NOT USED



FOUNDATION DETAIL 19

FOUNDATION DETAIL 20

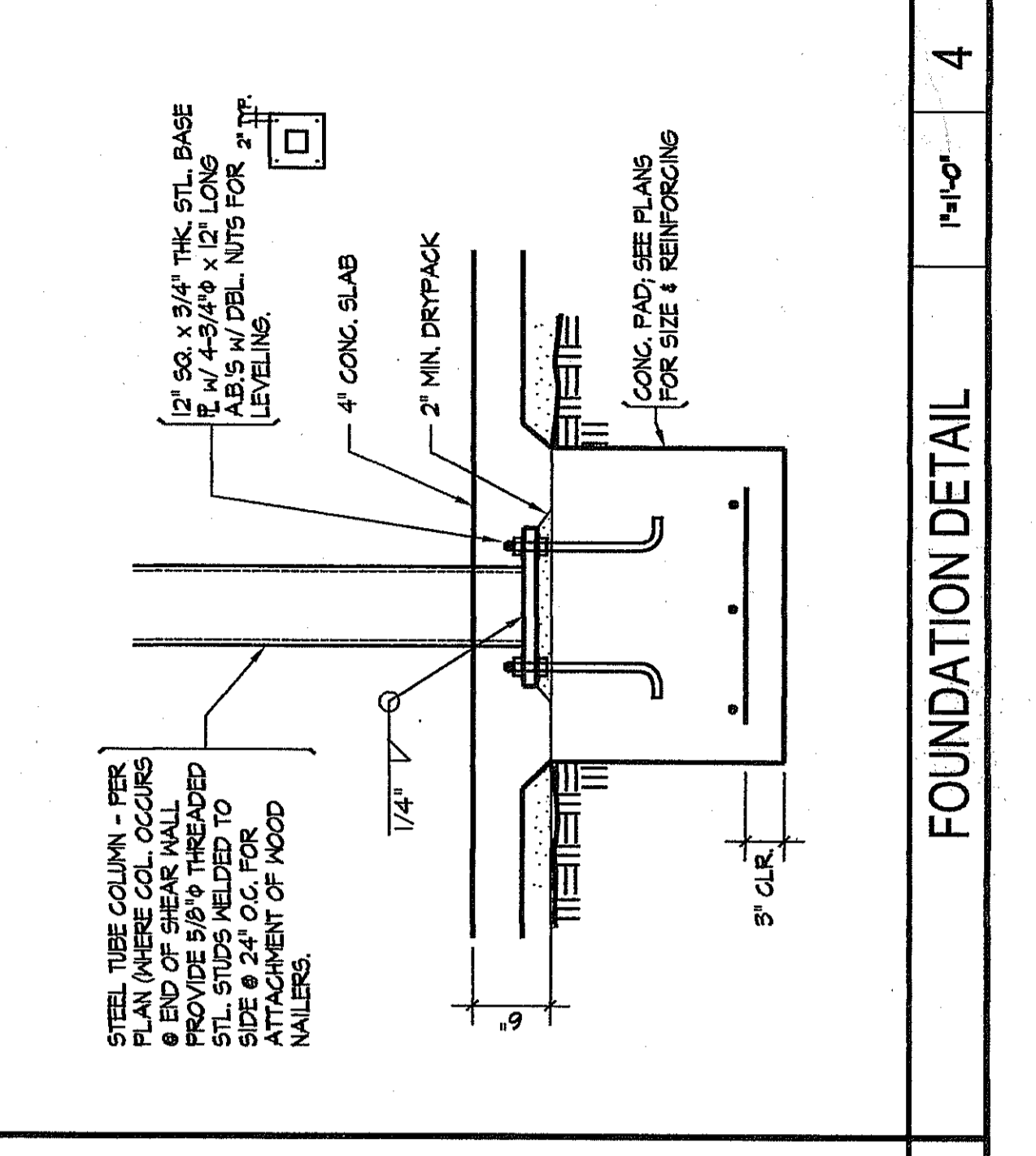
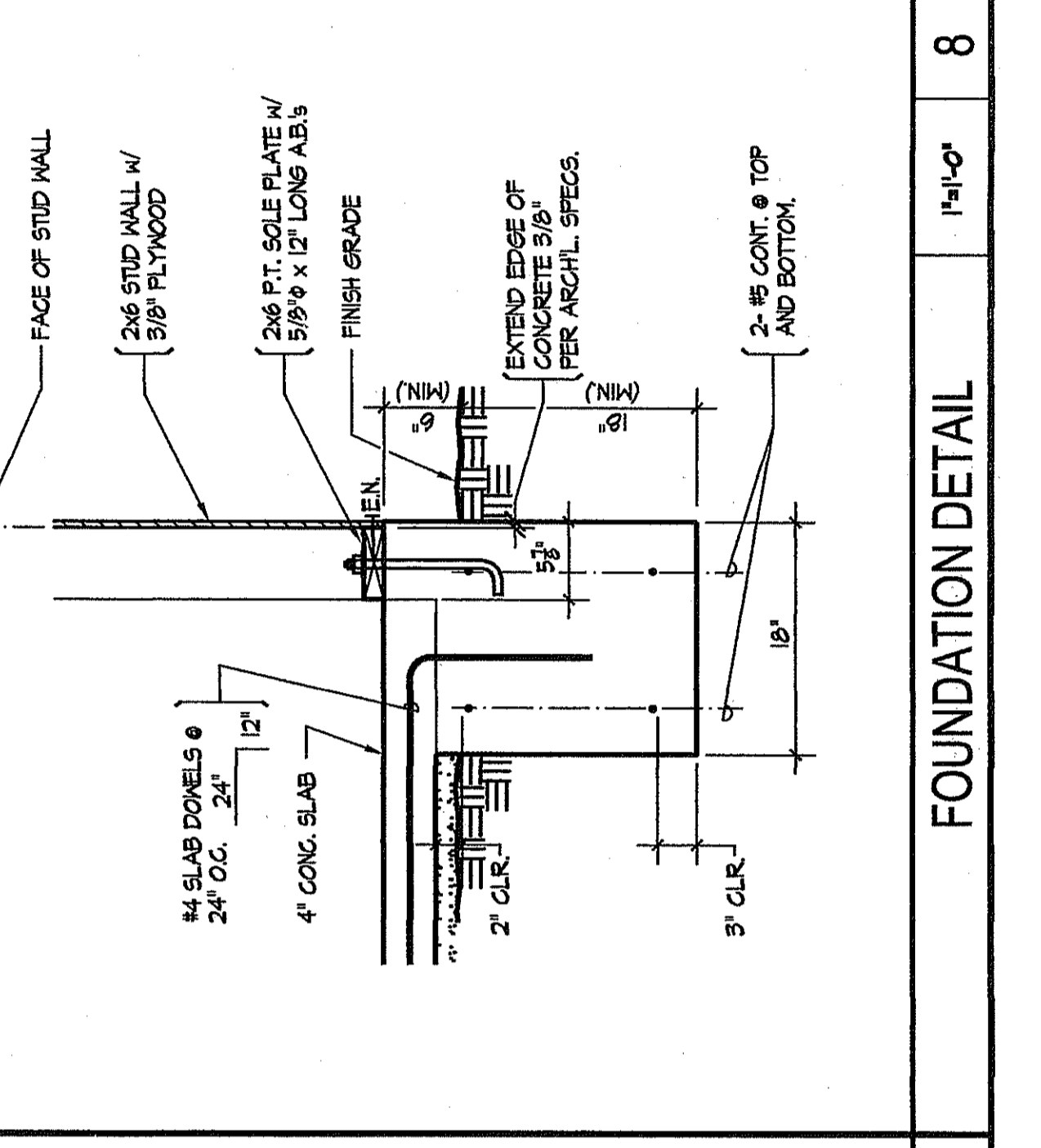
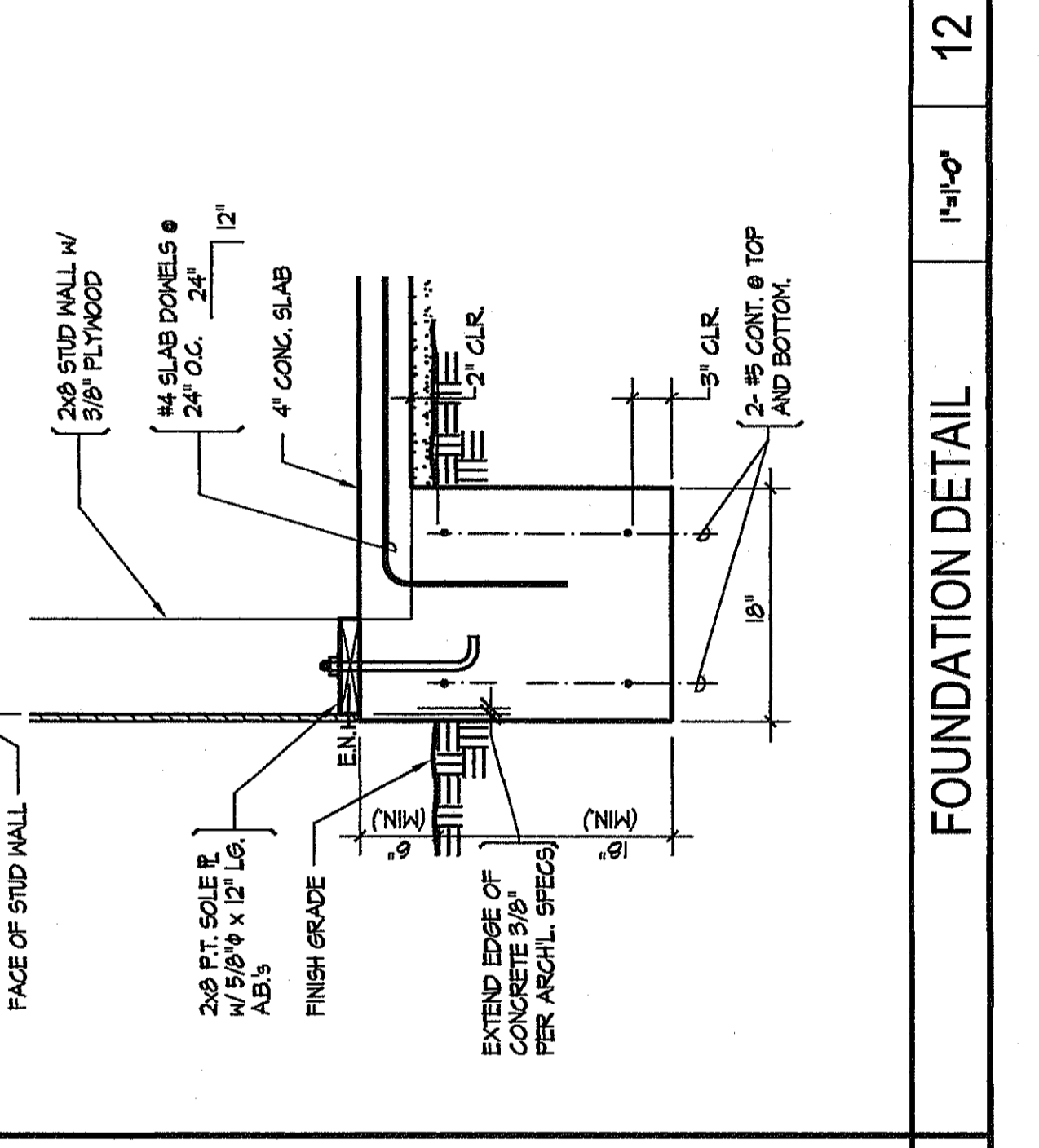
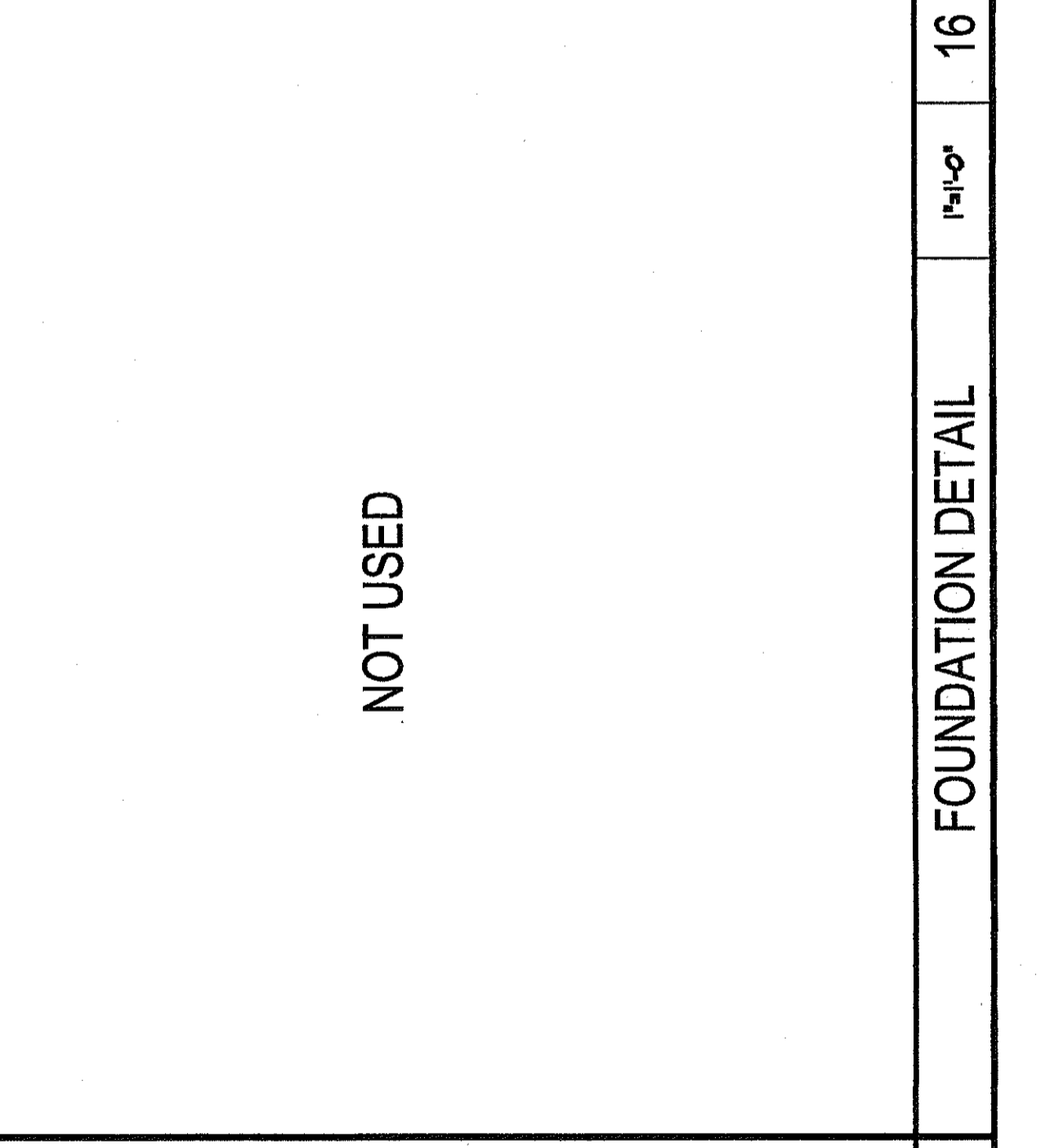
FOUNDATION DETAIL 21

FOUNDATION DETAIL 22

FOUNDATION DETAIL 23

FOUNDATION DETAIL 3

NOT USED



FOUNDATION DETAIL 20

FOUNDATION DETAIL 21

FOUNDATION DETAIL 22

FOUNDATION DETAIL 23

FOUNDATION DETAIL 24

FOUNDATION DETAIL 4

TOVEY / SHULTZ CONSTRUCTION INC.
18281 COLLIER AVE. SUITE "A"
TUSTIN, CA 92680
PHONE (909) 471-5250
FAX (909) 471-5547

DESIGN/BUILD

CONSULTANT

Brian R. Bloom
Architect

303 S. Milliken Ave., Ste. G, Orange, CA 92668-2580
(909) 390-7209 FAX (909) 390-7209

ARCHITECTURE AND PLANNING

CONSULTANT

Knapp & Associates, Inc.
450 South Street, Suite 200
Fullerton, CA 92630
(714) 898-8888

PROJECT

**CALVARY CHAPEL
OF THE HIGH DESERT
14740 EUCALYPTUS
HESPERIA, CA
92345**

PROJECT

FELLOWSHIP HALL

ISSUANCES

OWNERS MEETING 03-08-04
PLANNING REVIEW 08-01-06
PLANNING SUBMITTAL 01/31/07

REVISIONS

MEMBER IRON
MARK 3 0 2007
RECEIVED

TITLE

FOUNDATION DETAILS

SCALE 1/4"=1'-0"

DATE 9-28-07

JOB NO. S3.1

BY: [Signature]